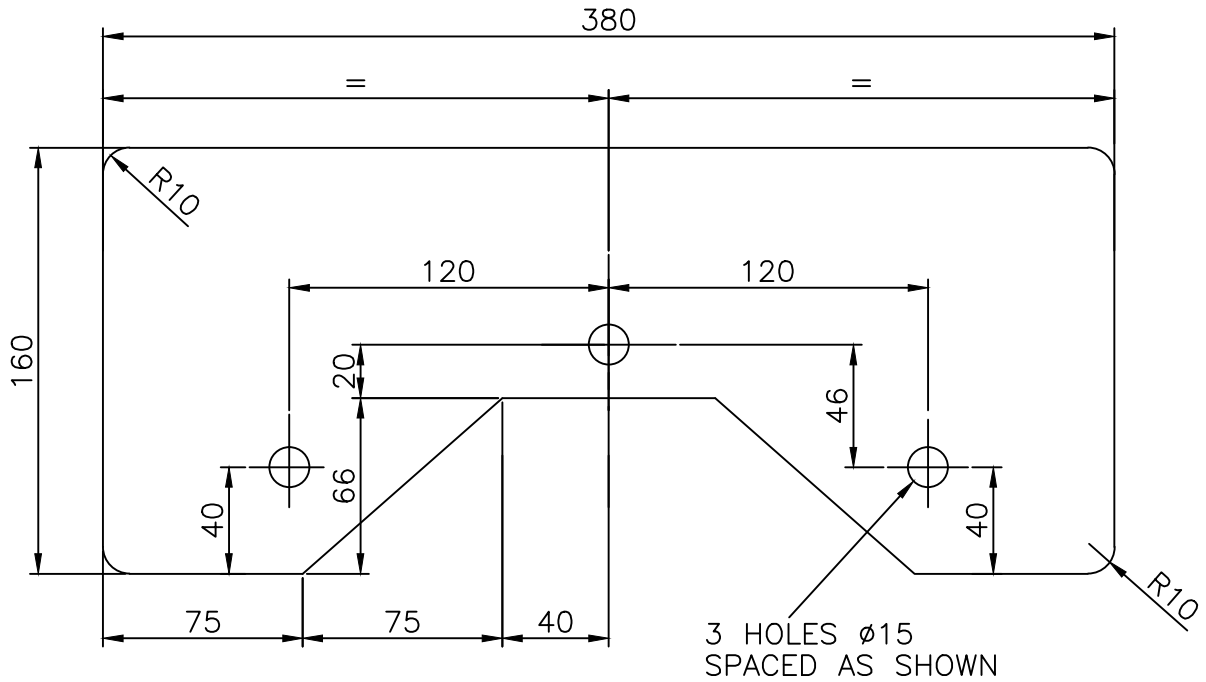


FIRST ANGLE PROJECTION

(ALL DIMENSIONS ARE IN mm)

THE INFORMATION ON THIS DOCUMENT IS THE PROPERTY OF BHARAT HEAVY ELECTRICALS LIMITED. IT MUST NOT BE USED DIRECTLY OR INDIRECTLY IN ANY WAY DETRIMENTAL TO THE INTEREST OF THE COMPANY.

REV	DATE	ALTERED	REV	DATE	ALTERED	ADDITION INFORMATION
		CHECKED			CHECKED	
		APPROVED			APPROVED	
						STATUS OF DRAWING STD.
						DISTRIBUTION OF PRINT AME- 01 TEX(PLM)- 01 PLM- 03



REF. DRG. NO.	01	PLATE 3TK.	AA 22415	UNIT WT.
REMARKS	ITEM NO.	DESCRIPTION	MATL. CODE	UNIT
			MATL. SPCN.	QTY.

CARD TYPE-3	CARD TYPE-1	CARD TYPE-2
	BHARAT HEAVY ELECTRICALS LTD. BHOPAL	NAME: UPENDRA SIGN: [Signature] DATE: 27.04.12
		NAME: RPB SIGN: [Signature] DATE: 27.04.12
		NAME: DKD SIGN: [Signature] DATE: 27.04.12

DEPT. AME	GRADE OF UNTOL. DIM. C/M/F	SCALE NTS	WEIGHT (kg)	REF. TO ASSY. DRG.	ITEM NO.	NO. OF ITEMS
CODE 404						
TITLE PHASE BARRIER FOR BRUSHGEAR ASSY.				DRAWING NO. 44024246019	ITEM 00	
SHEET NO.			NO. OF SHEET			

RPB/44024246019

SIZE A4