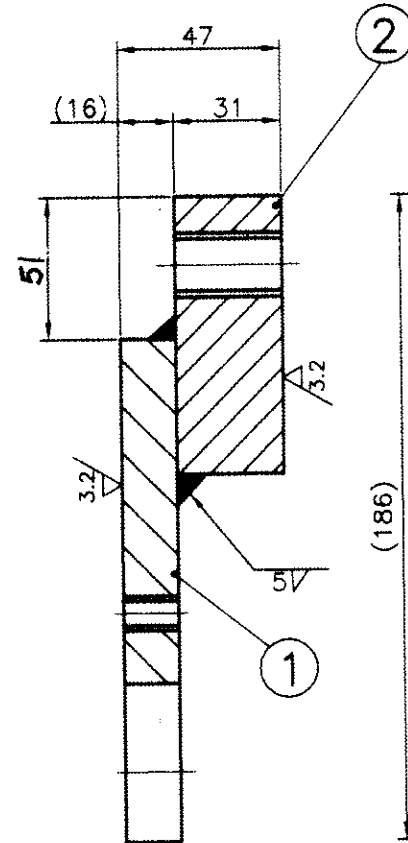
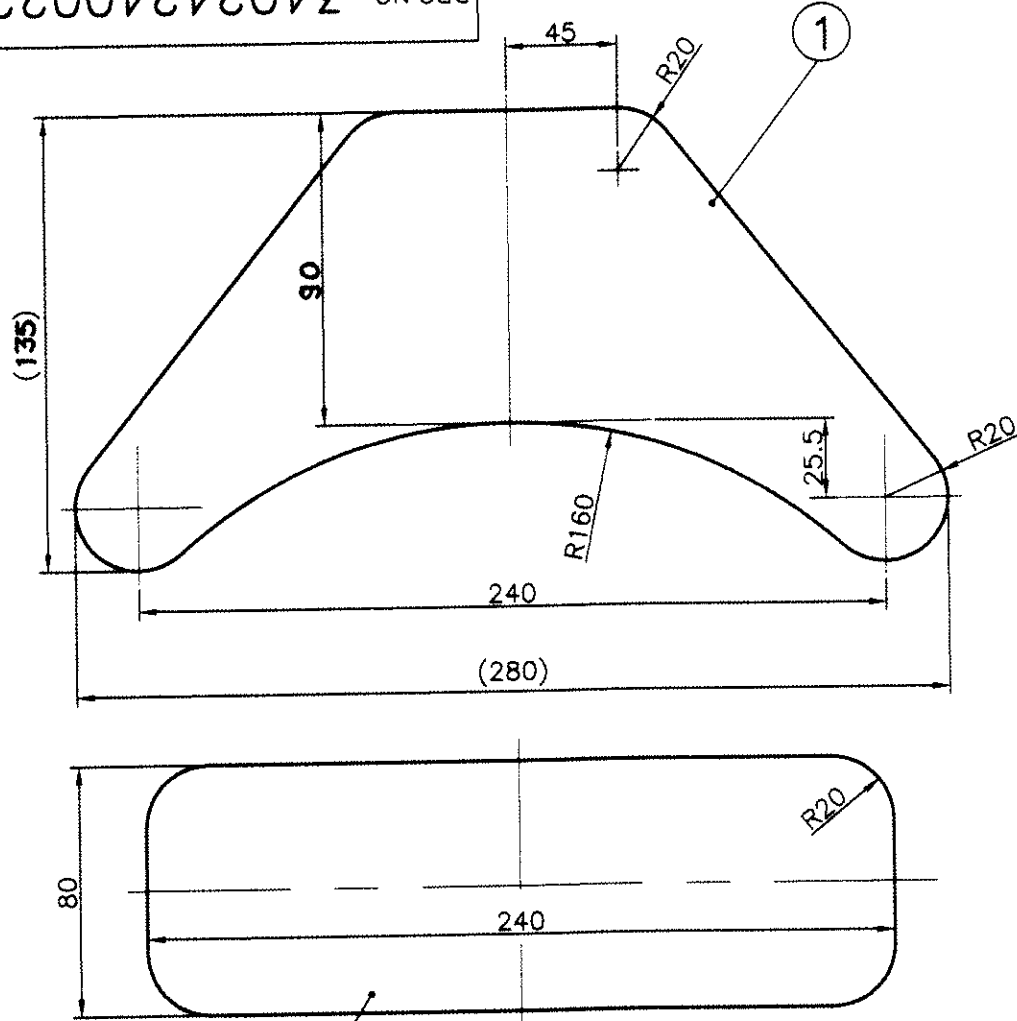


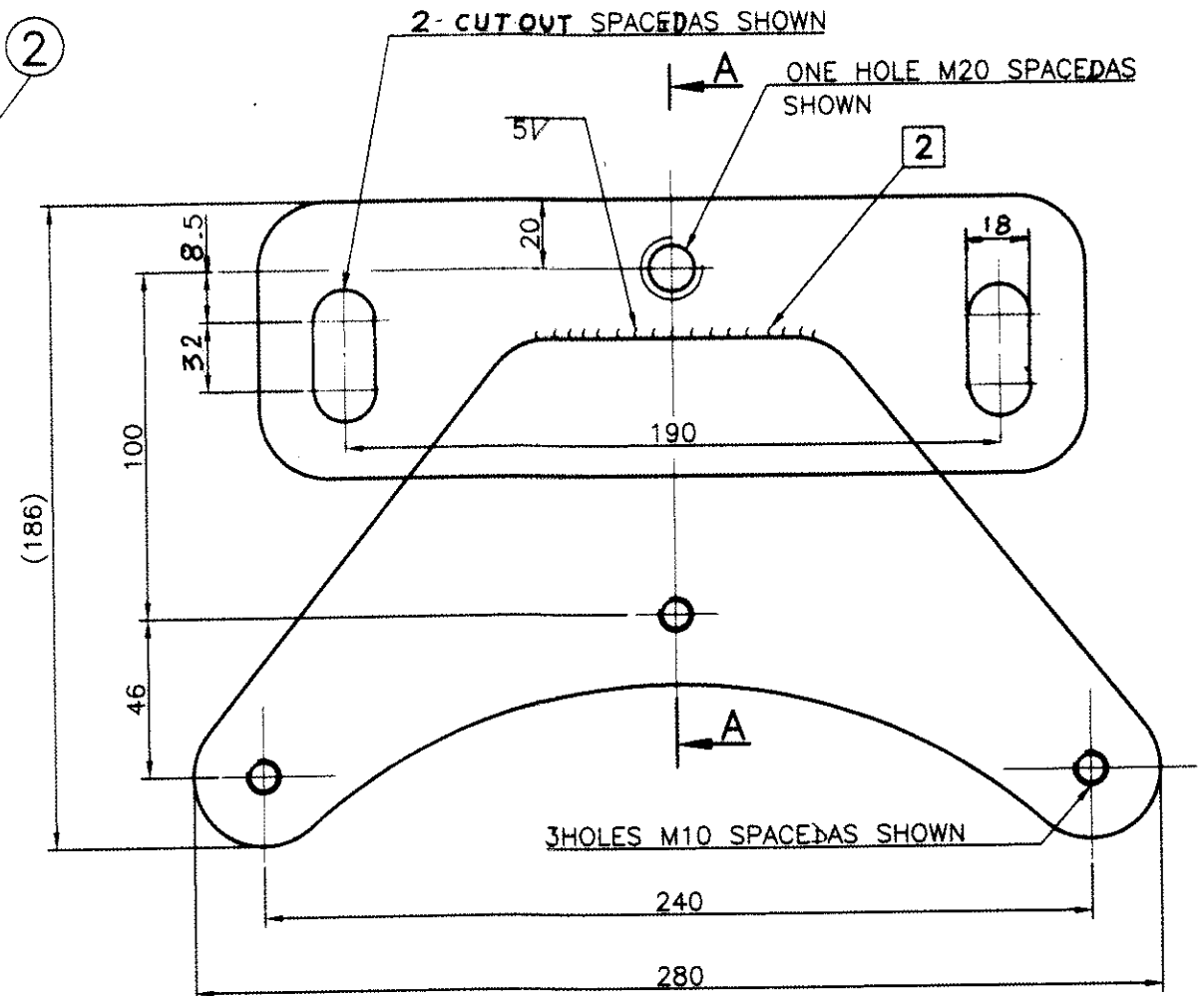
FIRST ANGLE PROJECTION

(ALL DIMENSIONS ARE IN mm.)

DRG. NO. 34024240022



SECTION-AA



THE INFORMATION ON THIS DOCUMENT IS THE PROPERTY OF BHARAT HEAVY ELECTRICALS LIMITED. IT MUST NOT BE USED DIRECTLY OR INDIRECTLY IN ANY WAY DETRIMENTAL TO THE INTEREST OF THE COMPANY.

3D4.5800-355968A
4D7.5800-355689
4D7.5800-355688
REF. DRG. NO.

SIGN & DATE

INVENTORY NO.

2

TECH. REQUIREMENTS:-

1. WELDING REF. W.I.052-6150.PART 56.
2. WELDING WITH ITEM 1 TO BE LEFT IN THE AREAS OF THE HOLE ϕ 18

01			002	PLATE 36TK.x80x240				AA10111808188		5.3														
01			001	PLATE 20TK.x280x135				AA10111808137		4.00														
59	64	65	75	78	79	25	27	29	58	59	60	77	29	31	34	MATL. CODE	45	55	56	57	58	UNIT WT.	65	72
VAR 00	REMARKS			VAR. NO.	ITEM NO.	DESCRIPTION		STD.	DRAWING NO.		32	VAR.	33	46	MATL. SPECN.	54	A	C	66	QTY.	71	g	ZONE	

ADDITIONAL INFORMATION W.O.49215A422-11		TYPE OF PRODUCT OR NAME OF CUSTOMER/PROJECT 1RR18.- 6JF60-Z M/S ACC WADI	
STATUS OF DRAWING		DISTRIBUTION OF PRINTS O.C.-1 FBM-4 PLM-4 TCX(PLM)-1	
SIGNATURE P.K. Samuel		DATE 09.02.2000	
CHD. AKB		28/2/2000	
APPD. SG		28/2/2000	
DEPT. AME	GRADE OF UN. TOL. DIM. ϕ /M/ ϕ	SCALE N.T.S.	WEIGHT(Kg.) 10.00
CODE 404	REF. TO ASSY. DRG.		ITEM NO. 75 77
TITLE BRUSH GEAR SUPPORT		DRAWING NO. 34024240022	
REV. 01		NO. OF SHEETS 01	

REV. 02 DATE 14-3-01 ALT. CHD. DIMS. 90 & (135) WERE 100 & (145) RESP. DIM. 51 WAS 41.

REV. 01 DATE ALTERED U.N. WADIA CHECKED BCD. 2-CUTOUTS AS SHOWN.

PC2/PKS/WADI/BRKTASST.