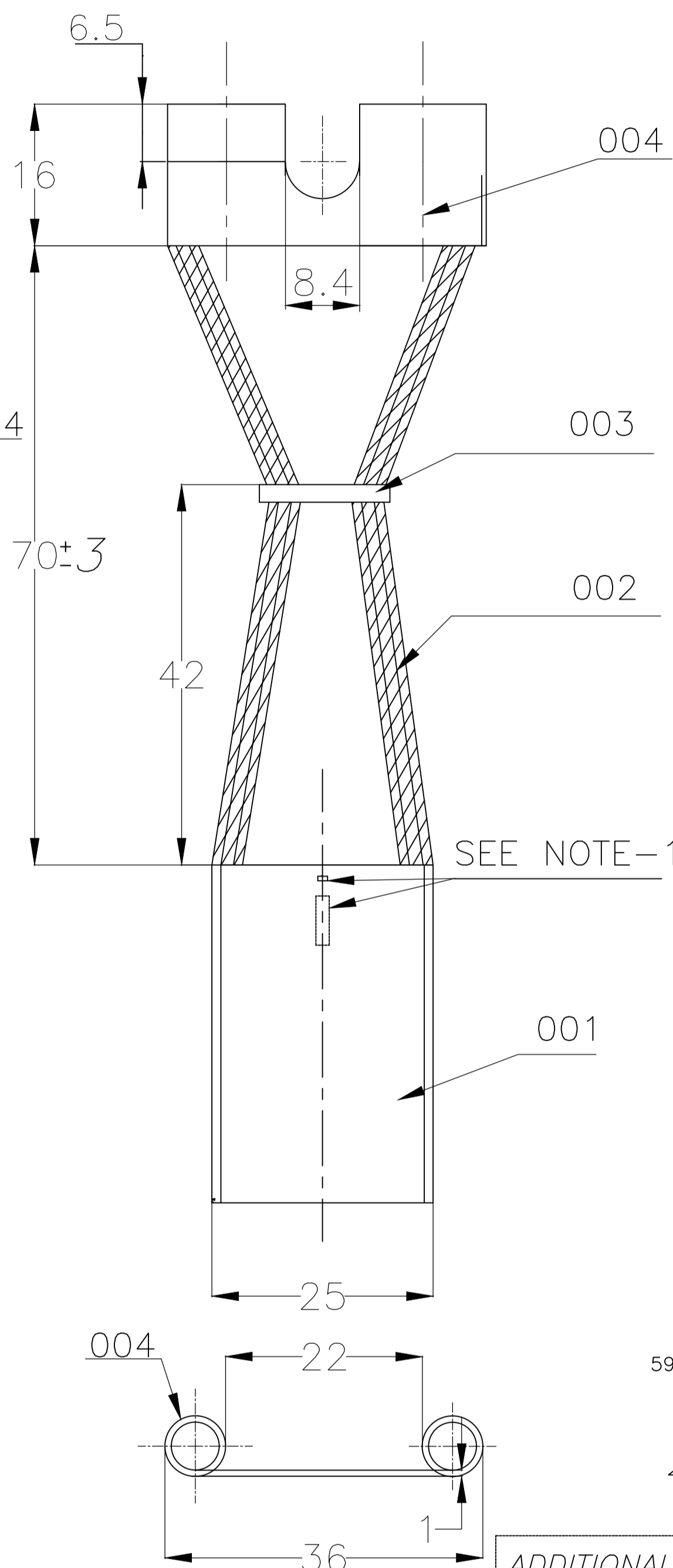
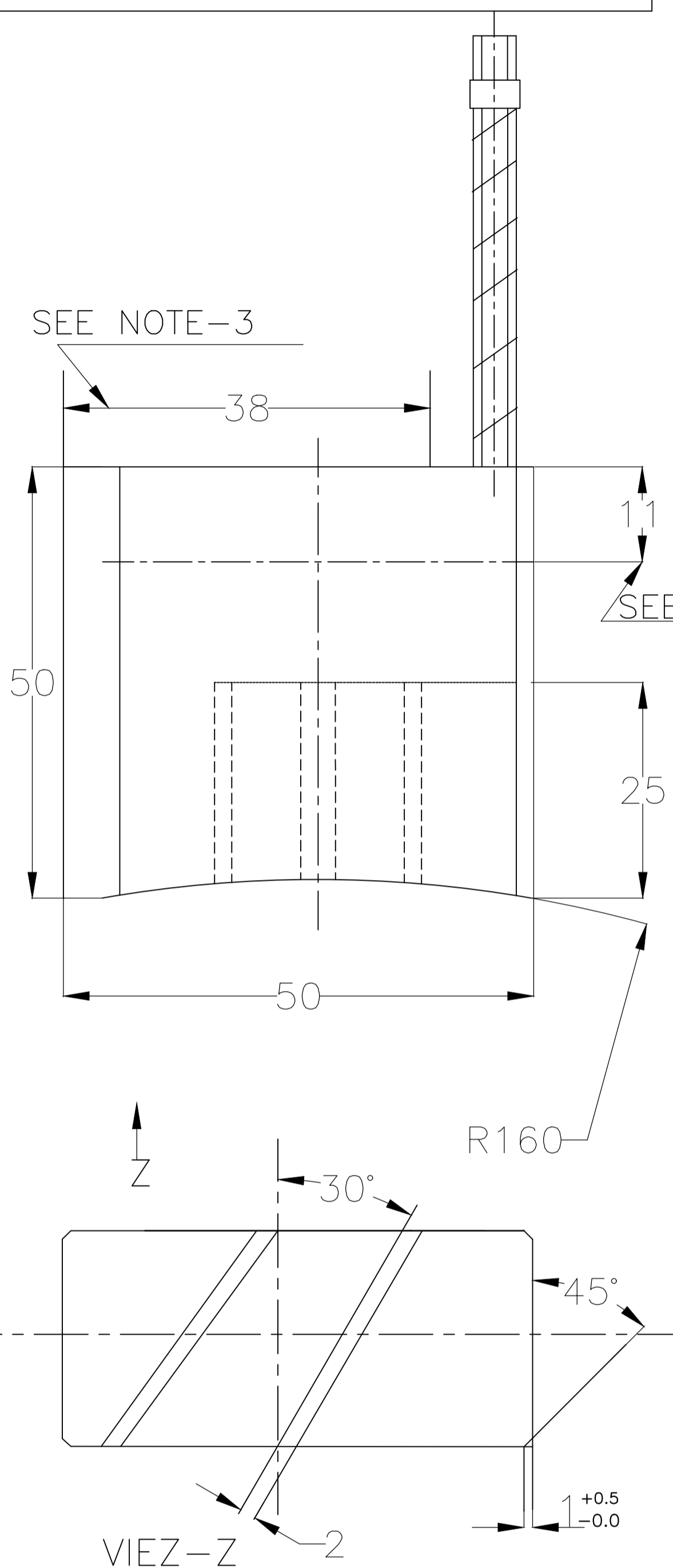


DRG. NO. 3 402424005

THE INFORMATION ON THIS DOCUMENT IS THE PROPERTY OF BHARAT HEAVY ELECTRICALS LIMITED IT MUST NOT BE USED DIRECTLY OR INDIRECTLY IN ANY WAY DETRIMENTAL TO THE INTEREST OF THE COMPANY.



TECHNICAL REQUIREMENTS:

- IDENTIFICATION MARK WITH L=15 AND THE BRUSH GRADE MARK TO BE INCORPORATED BY SUPPLIER AS SHOWN.
- ITEM 002 WITH ITEMS 001 AND 004 TO BE JOINED FOR GOOD ELECTRICAL CONNECTION
- MINIMUM DISTANCE FOR SEATING OF SPRING ELEMENT.
- PERMISSIBLE HEIGHT FOR THE GUIDE CLIP (PROVIDED WHEN NECESSARY).
- CARBON BRUSH TO COMPLY WITH IS STANDARD : IS13466, IS13584 & IS13586
- VENDOR TO SUBMIT TECHNICAL PARAMETERS OF THE OFFERED GRADE AGAINST TABLE BELOW WITH TECHNICAL OFFER.
- ROUTINE AND TYPE TEST REPORT TO BE SUBMITTED DURING DELIVERY AS PER CLAUSE NO . 16 OF IS13466.

ACCEPTABLE EQUIVALENT MANUFACTURER GRADE FOR VAR.01	
MAKE	GRADE
SHUNK METAL	C80X
MERSON INDIA	MC70
ASSAM CARBON	M15E
NATIONAL CARBON	NC75

VAR.	STYLE NO.	DESCRIPTION	USE
01	BP9044030116	BRUSH ASSEMBLY	FOR SRIM EXCEPT 1TT & 1TM FRAME

TABLE											
VAR.	BRUSH TYPE	SIZE	SPECIFIC RESISTIVITY $\mu\Omega\text{-cm}$	HARDNESS	DENSITY gm/cm^3	PERMISSIBLE PERIPHERAL SPEED (m/sec)	PERMISSIBLE CURRENT LOADING (A/Cm^2)	CONTACT DROP (V) (VOLTS/BRUSH)	COFF. OF FRICTION	CROSS BREAKING STRENGTH KG/Cm^2	PIGTELL PULLOUT STRENGTH kg
01	METAL GRAPHITE	25X50X50	10-100	85HR-100HR (10/40)	4.0-5.0	32.0	>=15	0.4-1.0	0.10-0.15	300-400	30

VAR. NO.	ITEM NO.	DESCRIPTION	STANDARD	DRAWING NO.	MATL CODE OR STYLE	UNIT WT
01	004	CABLE LUG (ELECTRO TINNED)			AA12007	
01	003	FERRULE (ELECTRO TINNED)			AA12007	
02	002	BRUSH LEADS (COPER BRAID)			AA12004	
01	001	BRUSH				

28 → CARD TYPE-3 28 → CARD TYPE-1 28 → CARD TYPE-2

BRUSH TYPE	METAL GRAPHITE	
BRUSH TO LERANCE	50 -0.18 -0.34	25 -0.16 -0.29
BRAID CROSS SEC.	10	

ADDITIONAL INFORMATION				TYPE OF PRODUCT : OF : NAME OF CUSTOMER/PROJECT :			
STATUS OF DRAWING				(LINE-7 M/CS. 1LS 7 AND 1RS 7)			
DISTRIBUTION OF PRINTS				BHARAT HEAVY ELECTRICALS LTD. BHOPAL			
AME.	01	IMM	03	DRN.	NAME	SIGN.	DATE
GTG(IMM)	01	PLM	03	CHD.	AKASH		16.02.12
GTG (PLM)	01			APPD.	M.K.M.		16.02.12
REV.	DATE	ALTD.	AJAY	DEPT.	GRADE OF UN. TOL.	SCALE	WEIGHT (Kg.)
08	21.03.23	CHKD.	CPM	AME		NTS	
07	27.05.19	APPRD.	DM	CODE	404		
GRADE (NC75) OF NATIONAL CARBON ADDED.				REF. TO ASSY. DRG. 24024240010			
DRG. REDRAWN. TECHNICAL REQUIREMENT UPDATED.				ITEM NO. 002			
				TITLE CARBON BRUSH (METAL GRAPHITE)			
				DRAWING NO. 3 4024240005			
				SHEET NO. 4 NO. OF SHEETS 5			

REV.	DATE	ALTERED.	REV.	DATE	ALTD.	AJAY	REV.	DATE	ALTD.	AJAY
		CHECKED.	08	21.03.23	CHKD.	CPM	07	27.05.19	CHKD.	DM
		APPROVED.			APPRD.	CPM			APPRD.	DM

INVENTORY NO. GRADE (NC75) OF NATIONAL CARBON ADDED.

73, 74 NO. OF VAR.

75, 77 NO. OF ITEMS

REV 08