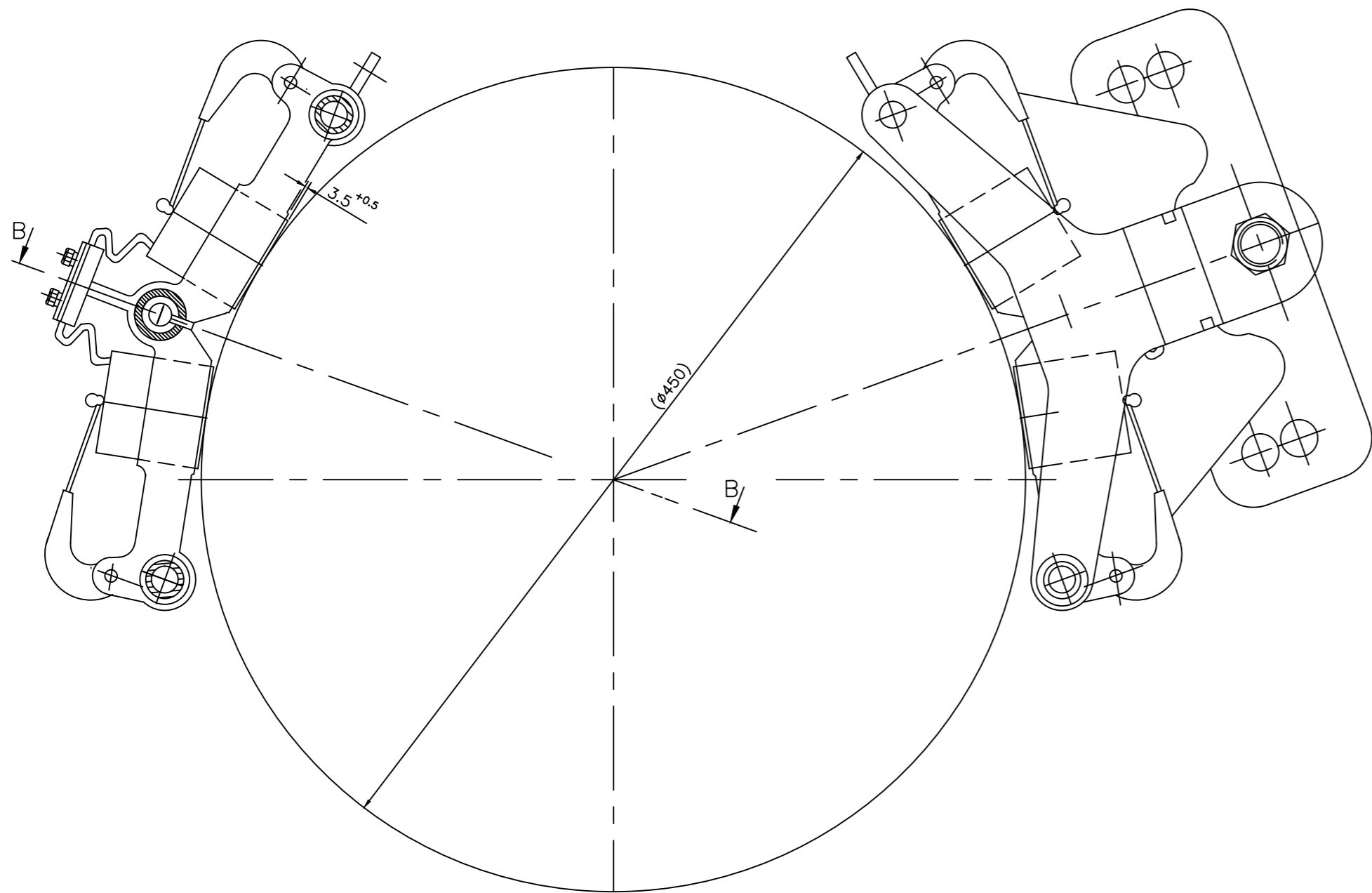
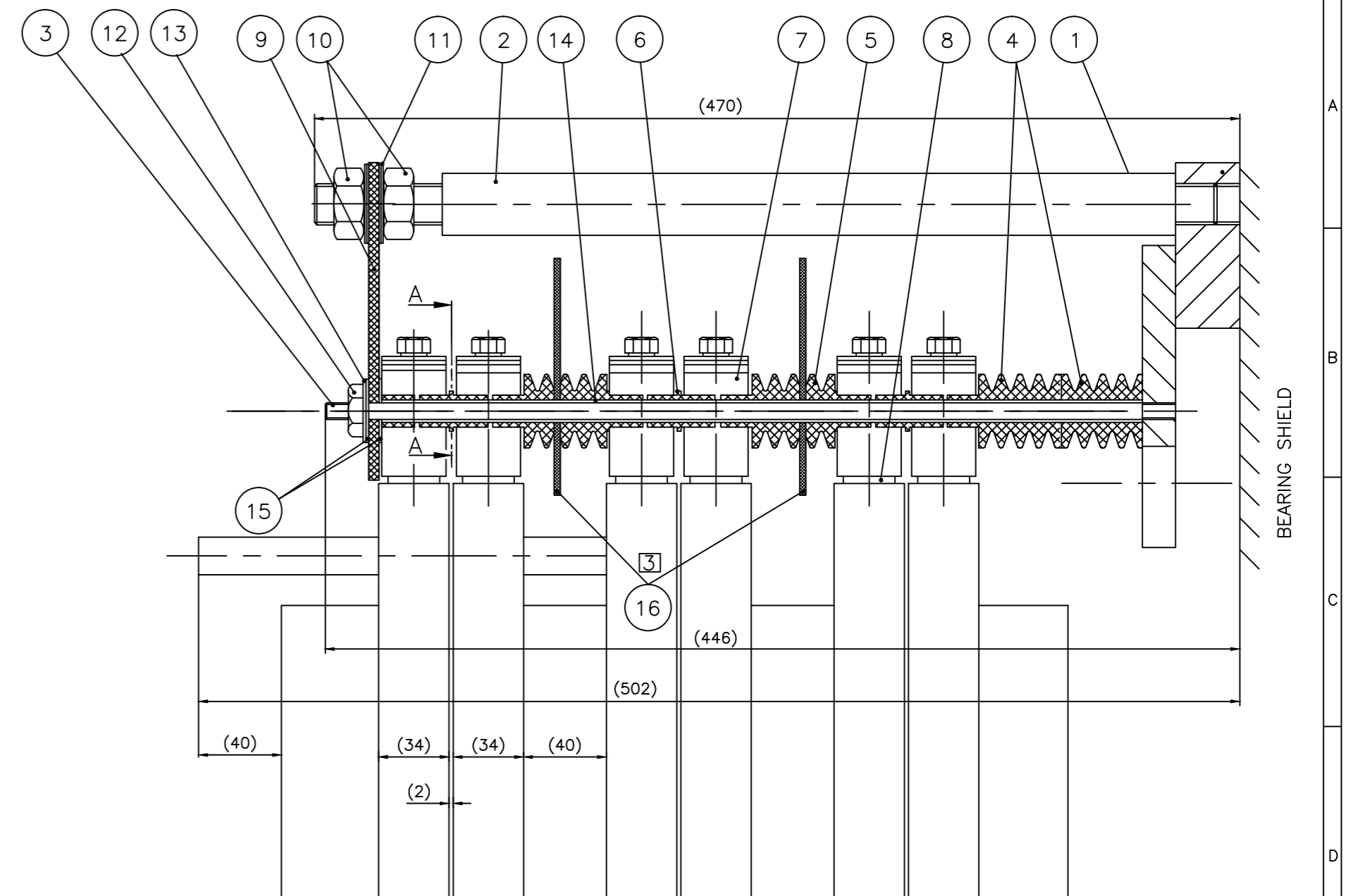


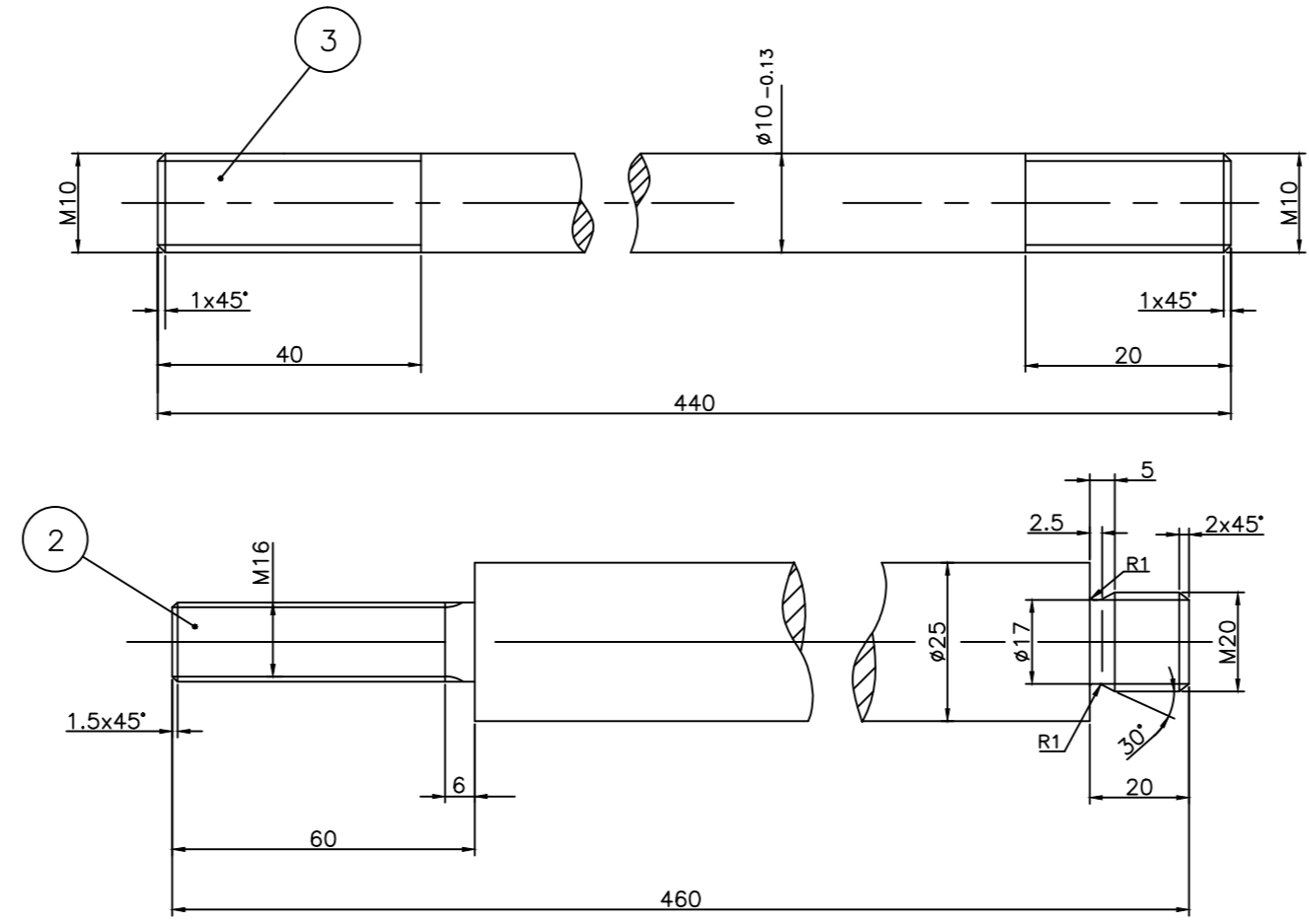
DRG. NO. 24024240093



SECTION-AA



SECTION-BB



TECH. REQUIREMENT:-

1. ALTERNATIVELY, STUDS INSULATED WITH GLASS TAPE WITH HOT CURING EPOXY RESIN & TESTED AT 7KV, AC FOR 1 MINUTE IS ALSO ACCEPTABLE.
2. ON ASSY. PLEASE ENSURE THAT THE TUBE LENGTH SHOULD NOT BE PROJECTED BEYOND ITEM 09.
3. PHASE BARRIERS IS TO BE ASSEMBLED AFTER CUTTING AND GRINDING OF THE INSULATOR AND ADJUSTED ACCORDING TO CARBON BRUSH POSITION AS SHOWN IN THE DRG.

QTY	VAR	REMARKS	VAR. NO.	ITEM NO.	DESCRIPTION	DRAWING NO.	UNIT	QTY	ZONE
02			016		INSULATION BARRIER FOR BRUSHGEAR ASSY.	44024246019	01		
12			015		INSULATION WASHER	44024246009	01	BP9063031220	
06	SEE T.R.1 CUT TO SUIT		014		INSULATION TUBE 1/D10.2xO/D12.1x435	44024246005	02	BP9063032390	
06			013		SPRING WASHER SC-B10			AA7164002061 AA7164002	
06			012		HEX.NUT M10			AA7151115032 AA7151115	
02			011		SPRING WASHER SC-B16			AA7164002088 AA7164002	
04			010		HEX.NUT M16			AA7151115059 AA7151115	
02	B.O.		009		BRUSH GEAR END SUPPORT	34024246012	01		0.7
24			008		BRUSH	34024240005	01	BP9044030116	
12			007		BRUSH HOLDER	24024240009	01	BP9084260171	
18			006		DISTANCE RING	44024246008	01	BP9093026992	
12			005		INSULATOR	44024246002	01	BP9064031550	
12			004		INSULATOR	44024246003	01	BP9064031568	
06			003		BRUSH HOLDER STUD M10x440			AA1020209062 AA10209	0.17
02			002		BRUSH HOLDER BOLT			AA1020208120 AA10208	2.0
02			001		BRUSH GEAR SUPPORT	34024240022	00		8.0

ADDITIONAL INFORMATION
W.O.40005A422-11
STATUS OF DRAWING

TYPE OF PRODUCT OR NAME OF CUSTOMER/PROJECT
1RR1903-6
M/S GUJRAT AMBUJA

DISTRIBUTION OF PRINTS
O.C.-1 TCX(PLM)-1
PLM-4

DEPT. AME UNTO. DIMS. GR. SCALE N.T.S. WEIGHT (K.G.) 39.00 REF. TO ASSY. DRG. ITEM NO. NO. OF ITEM

DRN. NAME SIGN DATE
UNW -sd/-
CKD DKD
APPD. SG -sd/-

DRAWING NO. 24024240093
SHT. NO. NO. OF SHT.

GES.NO.404504429 VAR.00

REV.	DATE	ALTERED	UPENDRA	REV.	DATE	ALTERED	ZONE	REV.	DATE	ALTERED	ZONE	REV.	DATE	ALTERED	ZONE
05	27.4.12	CHECKED	RPB	04	11.5.09	CHECKED	ZONE	03	5.5.07	CHECKED	ZONE	02	5.9.06	CHECKED	ZONE
		APPROVED	DKD			APPROVED				APPROVED				APPROVED	
IN BOM QTY. OF IT. 15 WAS 06 AND DRG. NO. OF IT. 14 WAS AM54026 IT.02				DIM. 470,460&440 WERE 445,435&415 RESPECTIVELY				ITEM NO. 15 ADDED				DIA. OF ITEM 2 WAS 32 INSTEAD OF 25			

2D.56355960/4D4.5800-355964 THE INFORMATION ON THIS DOCUMENT IS THE PROPERTY OF BHARAT HEAVY ELECTRICALS LIMITED. IT MUST NOT BE USED DIRECTLY OR INDIRECTLY IN ANY WAY DETRIMENTAL TO THE INTEREST OF THE COMPANY.

SIGN. & DATE INVENTORY NO.

RFB/BRUSHHLDSP/ASSY.DWG