

FIRST ANGLE PROJECTION

(ALL DIMENSIONS ARE IN mm)

THE INFORMATION ON THIS DOCUMENT IS THE PROPERTY OF BHARAT HEAVY ELECTRICALS LIMITED IT MUST NOT BE USED DIRECTLY OR INDIRECTLY IN ANY WAY DETRIMENTAL TO THE INTEREST OF THE COMPANY

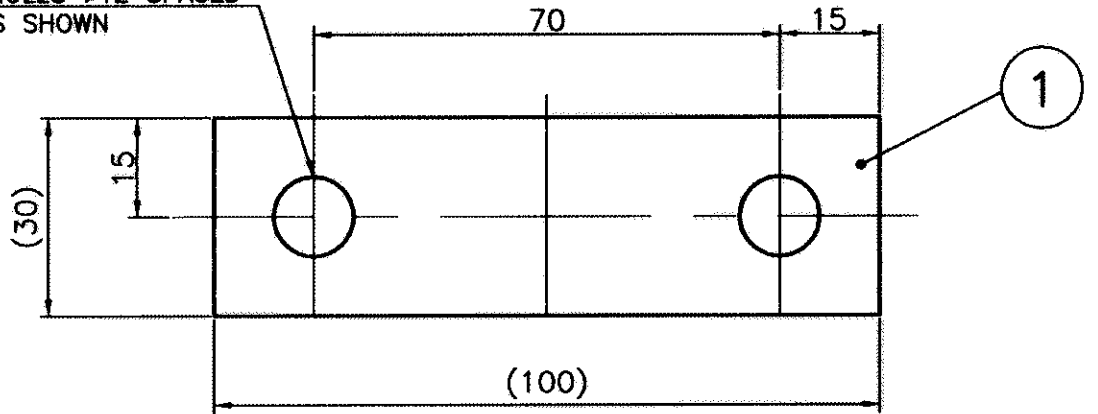
404.1389-320769  
404.1389-421750  
REF. DRG. NO.

SIGN. & DATE

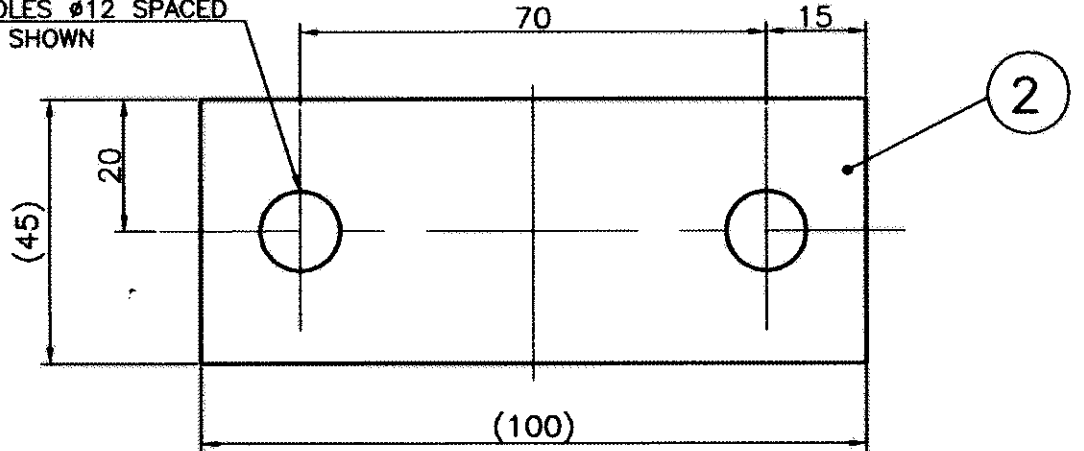
INVENTORY NO.

REV.	DATE	ALTERED CHECKED APPROVED	REV.	DATE	ALTERED CHECKED APPROVED	ADDITIONAL W.O..49215A422-11 INFORMATION M/S ACC WADI
						STATUS OF DRAWING
						DISTRIBUTION O.C.-1 PLM-4 OF PRINTS TCX(PLM)-1 FBM-4

2HOLES  $\phi$ 12 SPACED AS SHOWN



2HOLES  $\phi$ 12 SPACED AS SHOWN



002	PACKING PLATE 10TK.x45x100	AA1011808072 AA10108	0.4
001	PACKING PLATE 10TK.x30x100	AA1011808072 AA10108	0.3
REMARKS	ITEM NO.	DESCRIPTION	UNIT WT.
			QTY.

28 → CARD TYPE-3	28 → CARD TYPE-1	28 → CARD TYPE-2																
		<table border="1"> <tr> <td>NAME</td> <td>SIGN</td> <td>DATE</td> <td>NO. OF VAR.</td> </tr> <tr> <td>DRN P.K.Samuel</td> <td><i>[Signature]</i></td> <td>24.2.2000</td> <td></td> </tr> <tr> <td>CHKD AKB</td> <td><i>[Signature]</i></td> <td>28/2/20</td> <td></td> </tr> <tr> <td>APPD SKG</td> <td><i>[Signature]</i></td> <td>23/2/20</td> <td></td> </tr> </table>	NAME	SIGN	DATE	NO. OF VAR.	DRN P.K.Samuel	<i>[Signature]</i>	24.2.2000		CHKD AKB	<i>[Signature]</i>	28/2/20		APPD SKG	<i>[Signature]</i>	23/2/20	
NAME	SIGN	DATE	NO. OF VAR.															
DRN P.K.Samuel	<i>[Signature]</i>	24.2.2000																
CHKD AKB	<i>[Signature]</i>	28/2/20																
APPD SKG	<i>[Signature]</i>	23/2/20																

DEPT AME	UNTO.DIMS. GR.	SCALE	WEIGHT (K.G.)	REF. TO ASSY. DRG.	ITEM NO.	NO. OF ITEM
CODE 404		N.T.S.	-			
TITLE				DRAWING NO.		REV.
PACKING PLATES				44024242035		0
				SHT. No.-01	NO. OF SH. -01	

PC2/PKS/WADI/PACKG/PLT.DWG