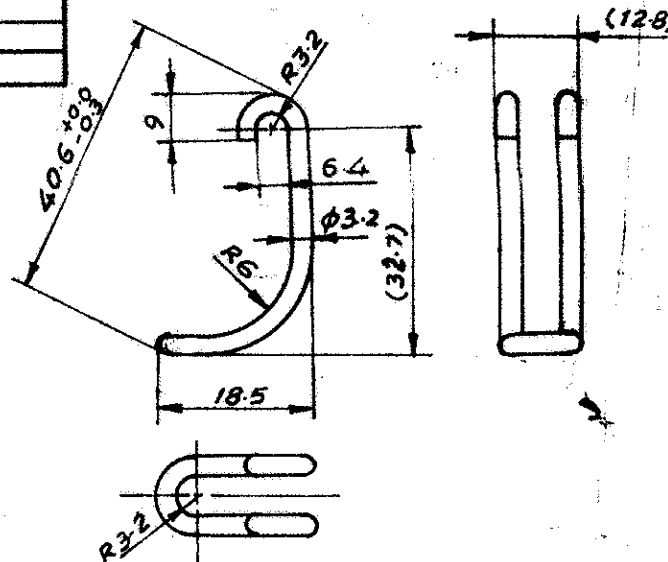


FIRST ANGLE PROJECTION

(ALL DIMENSIONS ARE IN M.M.)

The information on this document is the Property of BHARAT HEAVY ELECTRICALS LIMITED it must not be used directly or indirectly in any way detrimental to the interest of the company.

REV. 02	DATE 20/8/87	ALTERED BY radgunning	REV. 01	DATE 20/8/87	ALTERED BY	ADDITIONAL INFORMATION STATUS OF DRAWING DISTRIBUTION AME-1, IMM-3, TGM-1 OF PRINTS TCX (IMM)-1
STYLE NO. ADDED.			MAT. WAS 3.2 $\phi$ WIRE TO RA1030.			
3 4898 ALTD. 27/11/87 CKD			REVISED AS PER LETTER FROM, HI SECTION DT. 8/11/87. DIMNS. 6.4, 2.4, 3.3 & 3.8 WERE 6, 3.2, 3.2 & 3.2 RESPTLY. NOTE ALSO ADDED.			
MAT. WAS 2.6 $\phi$ ACCORDINGLY ALL DIMNS REINTERP.						
REV. 04	DATE 07/1/99	ALTD. (SPV) CKD	ST. NO. CHANGED IN 12 DIGITS.			



NOTE:- SPRINGS TO BE OIL HARDENED & TEMPERED.

L 150912 REF. DRG. NO. SIGNS & DATE INVENTORY NO.

ZINC PLATED P.S. 7607 A	CLAW HOOK $\phi$ 3.2 x 150	BP9094031507 BP10571	01
REMARK	ITEM NO.	DESCRIPTION	UNIT WT.
			QTY
CARD TYPE-3	CARD TYPE-1	CARD TYPE-	
<b>BHARAT HEAVY ELECTRICALS LTD.</b> <b>BHOPAL</b>		DRN. NAME R.M. Sarode	SIGN Sarode
		CHD	DATE 13/10/87
		APPD. K.R. MOORTHY	
DEPT. AME	GRADE OF UN TOL. DIM. DIM	SCALE. NTS	WEIGHT (Kg) 01
CODE 404			REF. TO ASSY. DRG. 2 402 42 40009
TITLE CLAW HOOK		CARD CODE	DRAWING NO. 4 402 42 42021
FOR BRUSH HOLDER V1207, 1R57			SHEET NO. / NO. OF SHEETS