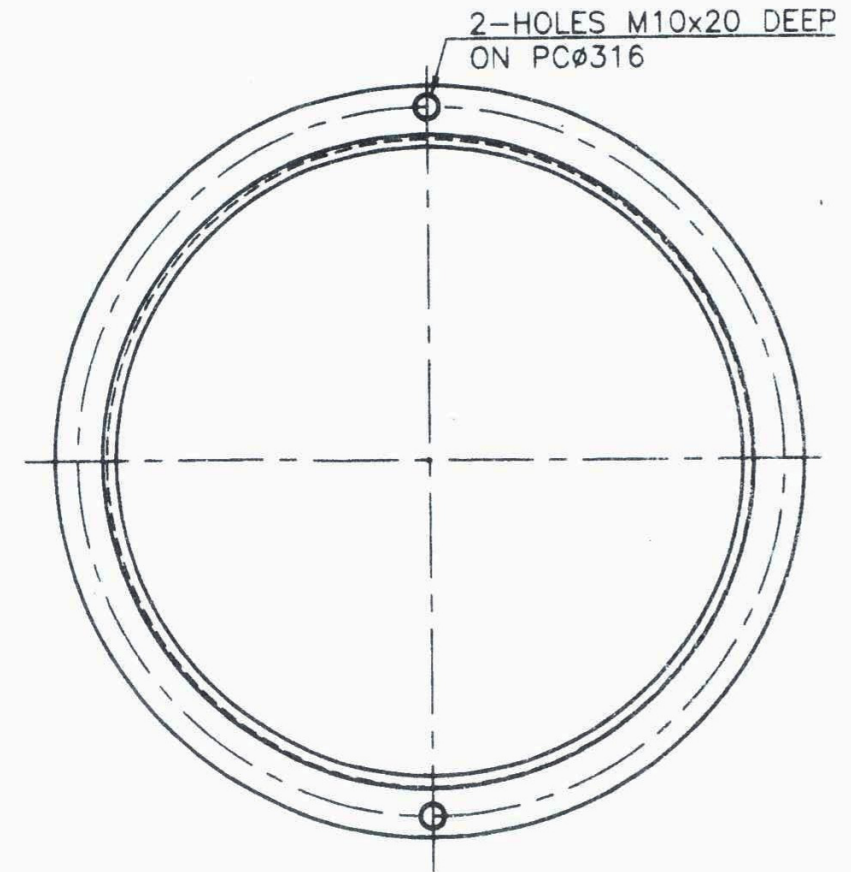
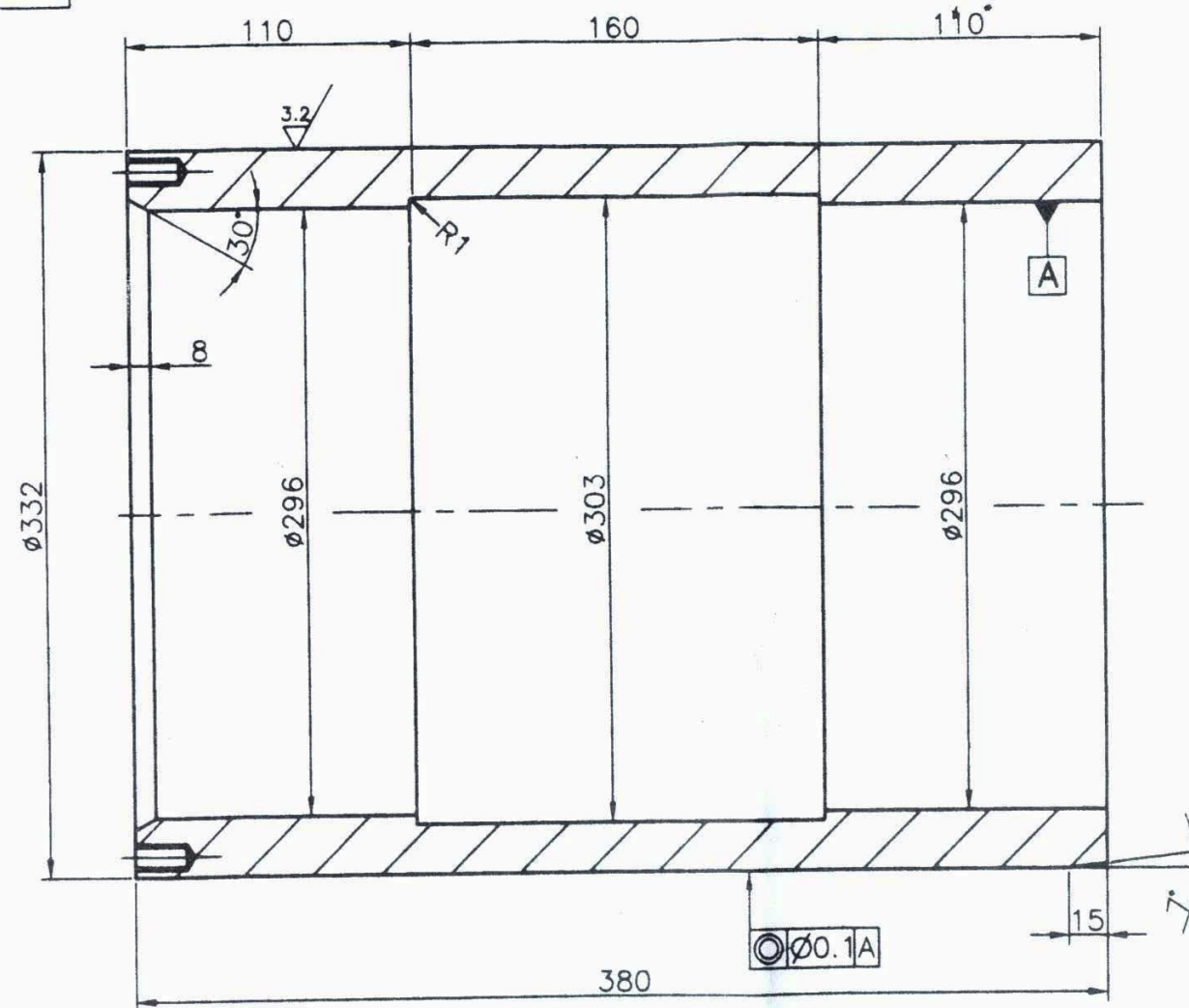


FIRST ANGLE PROJECTION

(ALL DIMENSIONS ARE IN mm.)

DRG. NO. 34028440048

6.3 ALL OVER EXCEPT OTHERWISE STATED



THE INFORMATION ON THIS DOCUMENT IS THE PROPERTY OF BHARAT HEAVY ELECTRICALS LIMITED IT MUST NOT BE USED DIRECTLY OR INDIRECTLY IN ANY WAY DETRIMENTAL TO THE INTEREST OF THE COMPANY.

REF. DRG. NO.

SIGN & DATE

INVENTORY NO.

01		001	FORGING FOR SLIP RING HUB	44028442030	01		77.30	
59	64 65	75 76 77	25 27 29	58 59 60	77	29 31 34	45 55 56 58	65 72
VAR 00	REMARKS	VAR. NO.	ITEM NO.	DESCRIPTION	STD.	DRAWING NO.	MATL. CODE	UNIT WT.
							MATL. SPECN.	QTY.
28 → CARD TYPE-3			28 → CARD TYPE-1			28 → CARD TYPE-2		

ADDITIONAL INFORMATION 40005A422-11		TYPE OF PRODUCT OR NAME OF CUSTOMER/PROJECT		1RR1903-6 M/S GUJRAT AMBUJA	
STATUS OF DRAWING		DISTRIBUTION OF PRINTS O.C.-1 FBM-4 PLM-4 TCX(PLM)-1		BHARAT HEAVY ELECTRICALS LTD. BHOPAL	
REV.		DATE		ALTERED	
				CHECKED	
DEPT. AME		GRADE OF UN. TOL.		SCALE	
CODE 404		DIM. P/M/S		N.T.S.	
WEIGHT(Kg.)		REF. TO ASSY. DRG.		ITEM NO.	
49.00				75 77	
TITLE		DRAWING NO.		NO. OF ITEMS	
SLIP RING HUB		34028440048		REV 00	
SHEET NO. 01		NO. OF SHEETS 01			

PC2/LDV/ Singhub