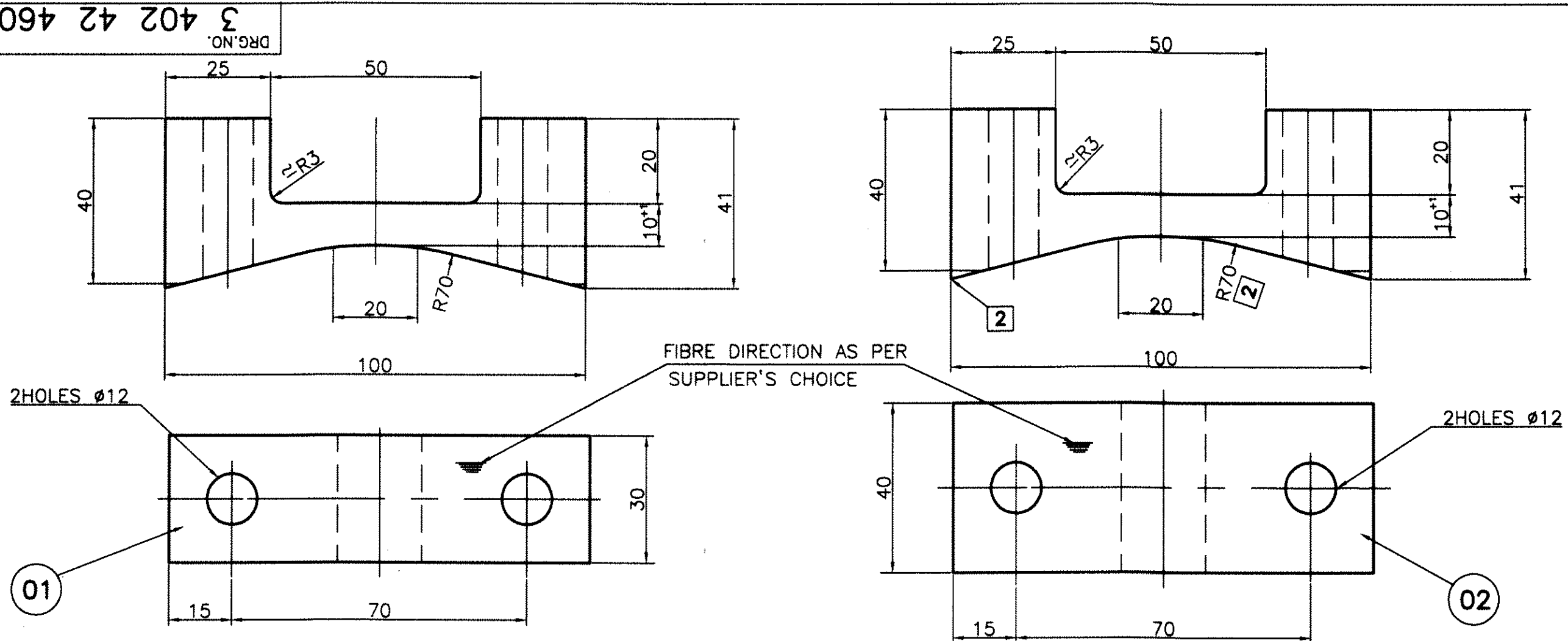


FIRST ANGLE PROJECTION

(ALL DIMENSIONS ARE IN mm.)

DRG. NO. 3 402 42 46010

THE INFORMATION ON THIS DOCUMENT IS THE PROPERTY OF BHARAT HEAVY ELECTRICALS LIMITED IT MUST NOT BE USED DIRECTLY OR INDIRECTLY IN ANY WAY DETRIMENTAL TO THE INTEREST OF THE COMPANY.



4D4.1389-421749  
4D4.1389-325406  
REF. DRG. NO.

**TECH. REQUIREMENTS:-**

- CORNER TO BE ROUNDED OFF OR LEFT AS IT IS.
- INNER CONTOUR AS PER THE CHOICE OF MANUFACTURER EITHER R70 OR WITH CORNERS.

VAR. NO.	REMARKS	VAR. NO.	ITEM NO.	DESCRIPTION	STD.	DRAWING NO.	IT. NO.	MATL. CODE	UNIT WT.	ZONE
01			002	SUPPORT BLOCK 40TK.x41x100				BP9063035438 AA22414	0.2	
01			001	SUPPORT BLOCK 30TK.x41x100				BP9063035420 AA22414	0.16	

ADDITIONAL INFORMATION W.O.49215A422-11		TYPE OF PRODUCT OR NAME OF CUSTOMER/PROJECT 1RR18..-6JF60-Z M/S ACC WADI	
DISTRIBUTION OF PRINTS O.C.-1 PLM-4 TEX(PLM)-1		BHARAT HEAVY ELECTRICALS LTD. BHOPAL	
REV. 01	DATE 18.2.09	ALTERED LDV	CHECKED AKB
STYLE NO. ADDED FOR ITEMS 01 & 02.		DEPT. AME	GRADE OF UN. TOL. DIM. C/M/F
TITLE SUPPORT BLOCK		SCALE N.T.S.	WEIGHT(Kg.) N.T.S.
DRAWING NO. 3 402 42 46010		REF. TO ASSY. DRG.	ITEM NO. 75 77 NO. OF ITEMS
SHEET NO. 01		NO. OF SHEETS 01	

SIGN & DATE  
INVENTORY NO.

LDV/ROTOR/34024246010