

FIRST ANGLE PROJECTION

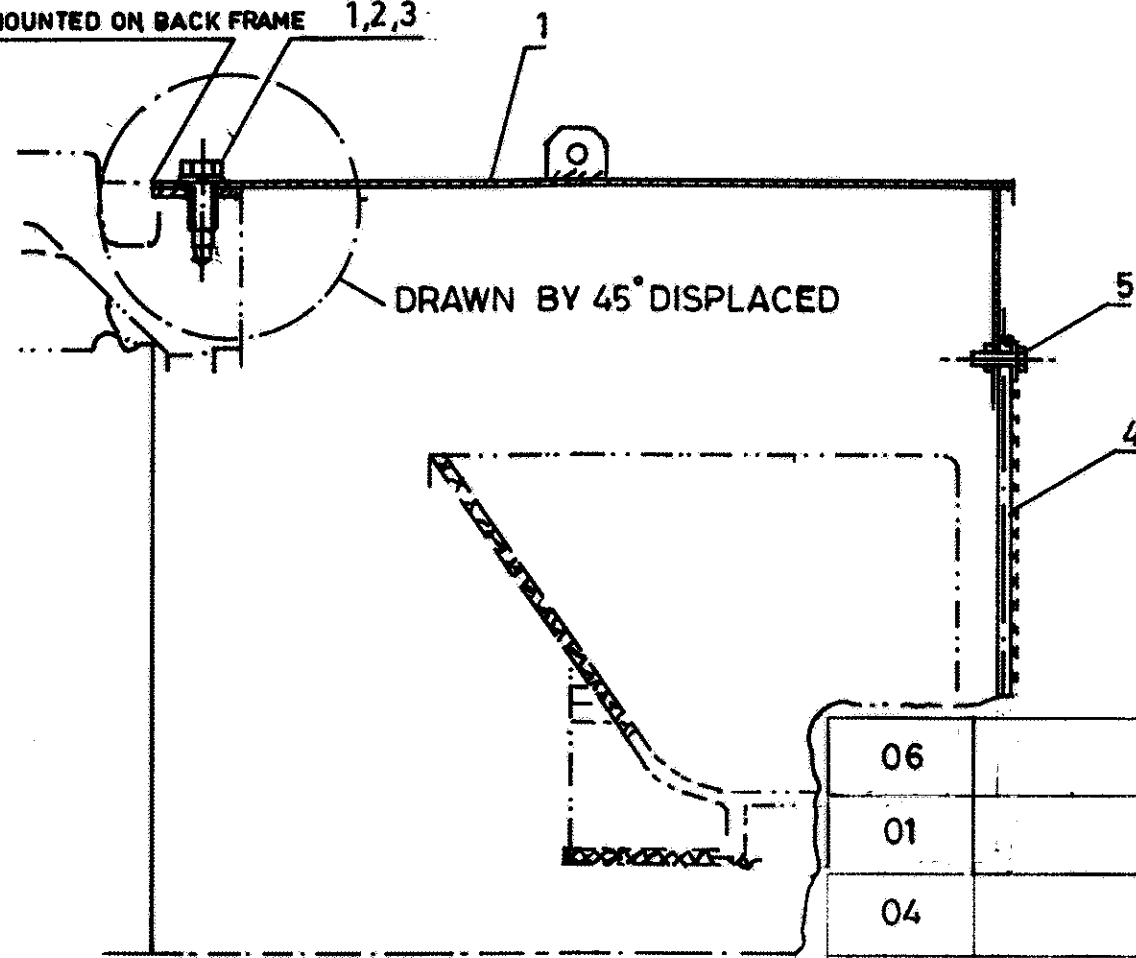
(ALL DIMENSIONS ARE IN mm)

DRG. NO. 3 402 34 40084

MOUNTED ON BACK FRAME 1,2,3

DRAWN BY 45° DISPLACED

THE INFORMATION ON THIS DOCUMENT IS THE PROPERTY OF BHARAT HEAVY ELECTRICALS LIMITED. IT MUST NOT BE USED DIRECTLY OR INDIRECTLY IN ANY WAY DETRIMENTAL TO THE INTEREST OF THE COMPANY.



06		05	HEX. SCREW M6x16		AA 7121123045			
					AA 7121123			
01		04	FAN CASING COVER	3 402 30 40059	01			
04		03	WASHER SC-A10-ST		AA 716 4001065			
					AA 716 4001			
04		02	HEX SCRU M10x25-8-8		AA 712 11 23 223			
					AA 712 11 23			
01		01	FAN CASING	1 402 34 40048	01			

28 ← CARD TYPE-3 28 ← CARD TYPE-1 28 ← CARD TYPE-2

ADDITIONAL INFORMATION		TYPE OF PRODUCT OR NAME OF CUSTOMER/PROJECT																	
STATUS OF DRAWING		BHARAT HEAVY ELECTRICALS LTD. BHOPAL																	
DISTRIBUTION OF PRINTS AME - 1 FBM - 4 IMM - 3 TEX (IMM) - 1		<table border="1"> <tr> <th>NAME</th> <th>SIGN</th> <th>DATE</th> <th>NO. OF VAR.</th> </tr> <tr> <td>DRN SPVERMA</td> <td><i>[Signature]</i></td> <td>31/8/05</td> <td></td> </tr> <tr> <td>CKD P STAYDE</td> <td><i>[Signature]</i></td> <td>01/9/05</td> <td></td> </tr> <tr> <td>APPD PB</td> <td><i>[Signature]</i></td> <td>1.9.05</td> <td></td> </tr> </table>		NAME	SIGN	DATE	NO. OF VAR.	DRN SPVERMA	<i>[Signature]</i>	31/8/05		CKD P STAYDE	<i>[Signature]</i>	01/9/05		APPD PB	<i>[Signature]</i>	1.9.05	
NAME	SIGN	DATE	NO. OF VAR.																
DRN SPVERMA	<i>[Signature]</i>	31/8/05																	
CKD P STAYDE	<i>[Signature]</i>	01/9/05																	
APPD PB	<i>[Signature]</i>	1.9.05																	
REV. DATE ALTERED CHECKED APPROVED	REV. DATE ALTERED CHECKED APPROVED	REV. DATE ALTERED CHECKED APPROVED	REV. DATE ALTERED CHECKED APPROVED																
DEPT. AME		UNTOL. DIMS. GR.	SCALE																
CODE 404			NTS																
TITLE		WEIGHT (K.G.)	REF. TO ASSY. DRG.																
FAN CASING ASSY		63																	
H-COMPACT		DRAWING NO. 3 402 34 40 084																	
		SHEET NO. 1 NO. OF SHEETS 1																	

H902618 REF. DRG. NO.

SIGN. & DATE

INVENTOYR NO.

REV. 00