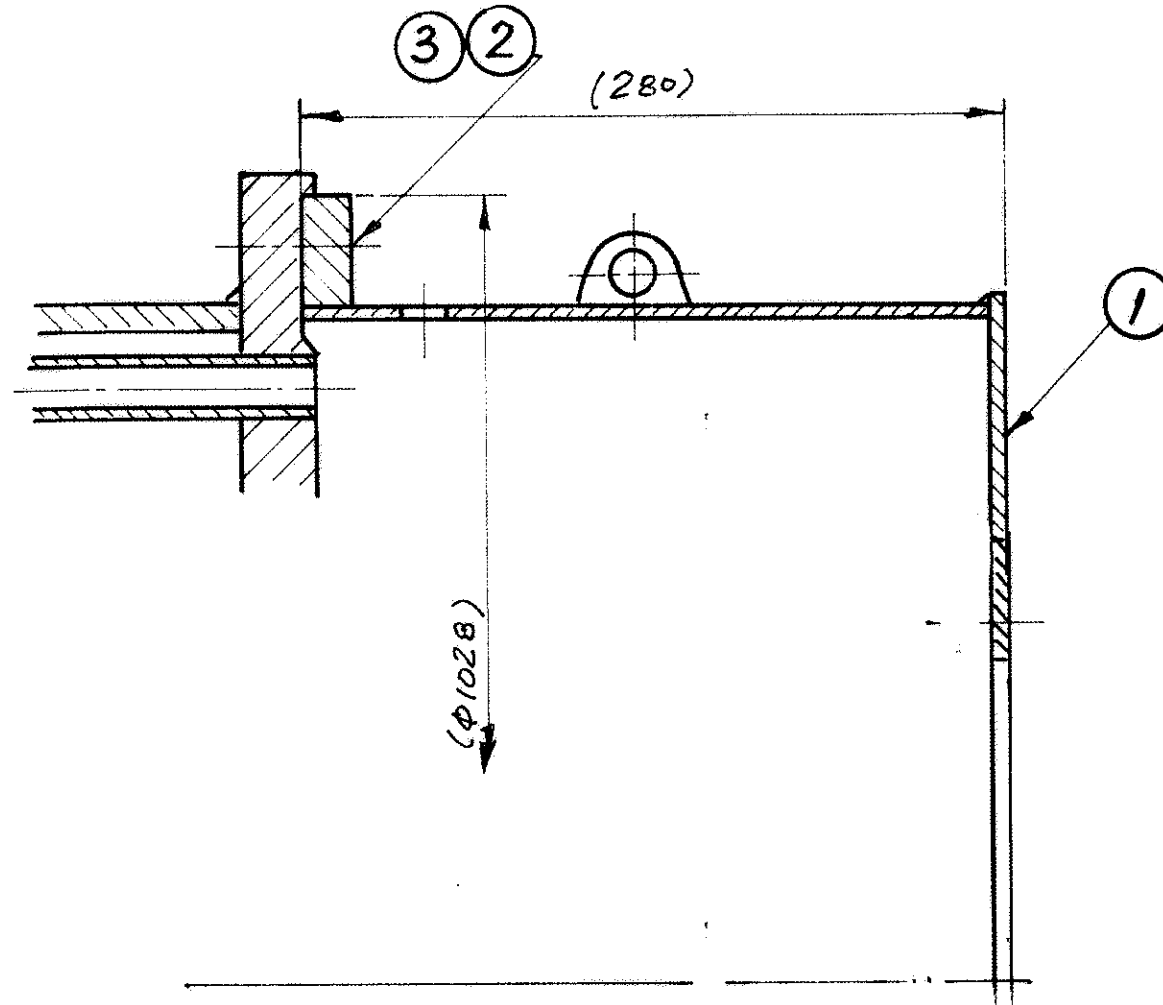


FIRST ANGLE PROJECTION

(ALL DIMENSIONS ARE IN mm)

DRG NO. 34023440026



GES 404283422 VAR-01  
404543408 VAR-02

04	-	INSIDE WITHOUT RIBS	04	FAN CASING M/C.D.	24023440052	02		
08	08		03	WASHER SPRING SC B10-ST			BP7164002061	
08	08		02	SCREW HEX P M10x25-8.8			BP7164002	
	01		01	FAN CASING M/C.D.	24023440052	01	AA7121123223	61.0
	01						AA7121123	

CARD TYPE 3

ADDITIONAL INFORMATION

STATUS OF DRAWING

DISTRIBUTION OF PRINTS  
AME-1  
IMM-3  
TCX-1

REV	DATE	ALTERED	CHECKED
01	22-5-04	<i>Mukherjee</i>	<i>Mukherjee</i>

VAR-02 & GES FOR THE SAME ADDED.  
REF. W.O. 43374A 401-11

TYPE OF PRODUCT: 1LA750

OR NAME OF CUSTOMER PROJECT

**BHARAT HEAVY ELECTRICALS LIMITED**  
BHOPAJ

J.C.G. *Pan* 25/2/89  
PB *P* 27/4/89

DEPT: AME  
GRADE OF WORK: N.T.S.  
DIM. S.M.F.: G1.0

TITLE: FAN CASING MOUNTING

REV. 01

THE INFORMATION ON THIS DOCUMENT IS THE PROPERTY OF BHARAT HEAVY ELECTRICALS LIMITED. IT MUST NOT BE USED DIRECTLY OR INDIRECTLY IN ANY WAY DETRIMENTAL TO THE INTEREST OF THE COMPANY.

INVENTORY NO. SIGN & DATE. REF. DRG NO.