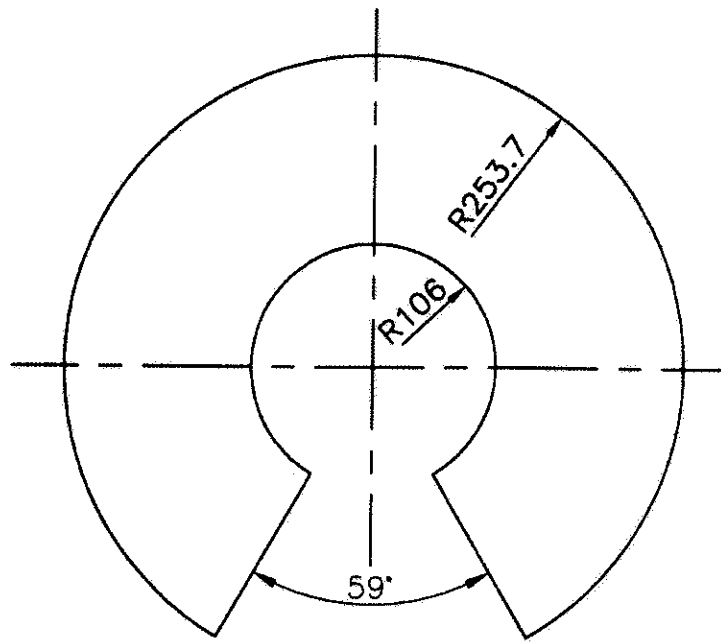


FIRST ANGLE PROJECTION

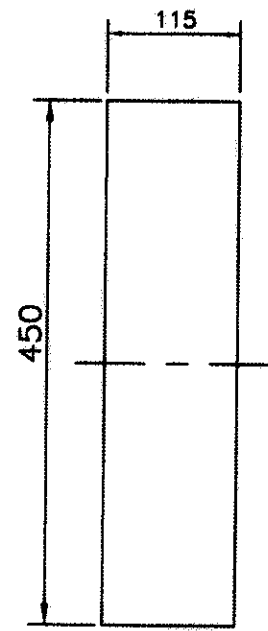
(ALL DIMENSIONS ARE IN mm)

DRG. NO. 34023242051

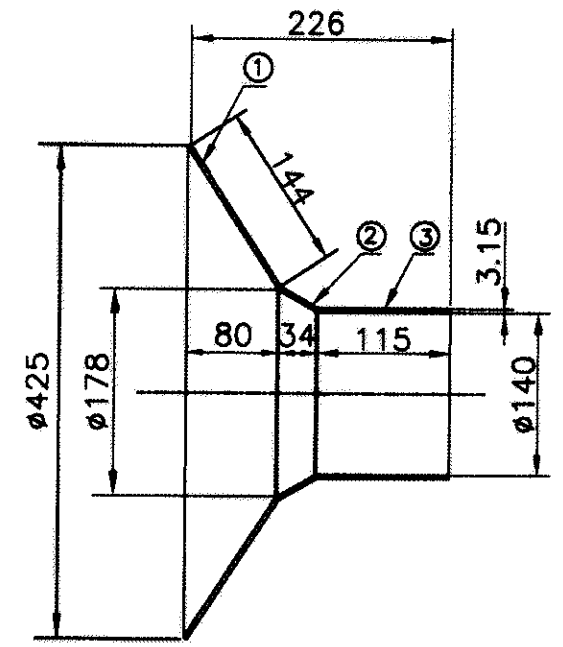
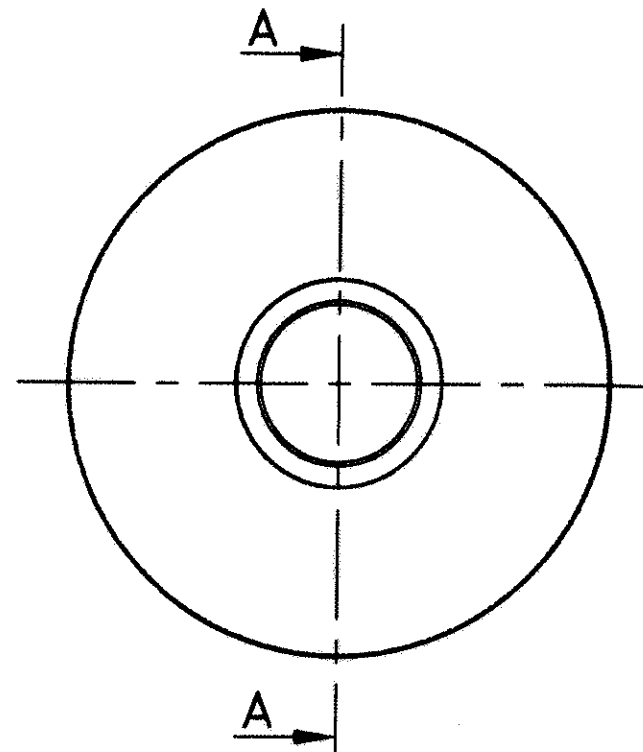
THE INFORMATION ON THIS DOCUMENT IS THE PROPERTY OF BHARAT HEAVY ELECTRICALS LIMITED. IT MUST NOT BE USED DIRECTLY OR INDIRECTLY IN ANY WAY DETRIMENTAL TO THE INTEREST OF THE COMPANY.



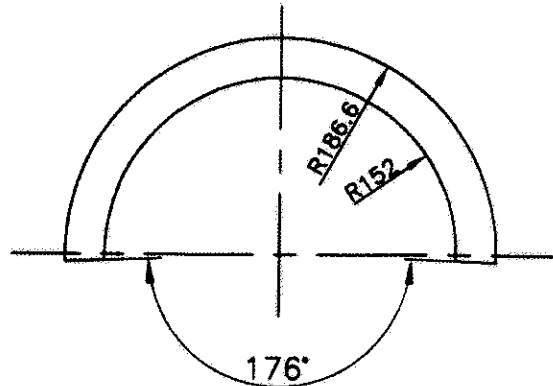
DEVELOPED VIEW
ITEM - 001



DEVELOPED VIEW
ITEM - 003



SECTION A-A



DEVELOPED VIEW
ITEM - 002

TECHNICAL REQUIREMENTS :-

- (1) ALL WELDS TO BE 3 Δ UNLESS OTHERWISE STATED WELDS TO BE C.S. AA0622101 TO GR II.
- (2) ROLLING ALLOWANCE NOT INCLUDED IN THE DEVELOPED LENGTH OF ITEMS 001, 002.
- (3) SHARP CORNERS AND EDGES TO BE ROUNDED OFF.
- (4) ITEM 01 & 02 ARE TO BE CUT TO SIZE AS SHOWN IN DEVELOPED VIEW & THEN ROLLED.
- (5) ITEM 003 TO BE ROLLED TO ID 140.
- (6) ALL WELDS TO BE D.P. TESTED.

59	64	65	75	78	79	25	27	29	58	59	80	77	28	31	34	45	55	56	58	65	72
VAR	NO.	REMARKS	VAR.	NO.	ITEM	NO.	DESCRIPTION	STD.	DRAWING	NO.	IT.	NO.	MATL.	CODE	54	57	UNIT	WT.	68	QTY.	71
01				003	CYLINDER		3.15TK.x115x450										BP1011715996				
																	AA10115				
01				002	CONE		3.15TK.x200x379										BP1011715996				
																	AA10115				
01				001	CONE		3.15TK.x520x480										BP1011715996				
																	AA10115				

ADDITIONAL INFORMATION WO : 47222A401-51		TYPE OF PRODUCT OR NAME OF CUSTOMER/PROJECT 1LA4316-4 , H-COMPACT	
STATUS OF DRAWING		DISTRIBUTION OF PRINTS AME - 1 IMM - 3 TEX(TOOLING) - 1	
BHARAT HEAVY ELECTRICALS LTD. BHOPAL		NAME SIGN DATE NO.OF VAR. DRN PARVEEN 06.09.08 CKD M.K.M 06.09.08 APPD P.B 06.09.08	
DEPT. AME CODE 404	UNTOLED.DIMS.GR. 	SCALE NTS	WEIGHT(K.G.) 8.5
TITLE BACK PLATE		REF. TO ASSY. DRG. DRAWING NO. 34023242051	
SHEET NO. 01		NO. OF SHEETS 01	

REV.	DATE	ALTERED	REV.	DATE	ALTERED
		CHECKED			CHECKED
		APPROVED			APPROVED

REF. DRG. NO.

SIGN. & DATE

INVENTOYR NO.

REV. 00