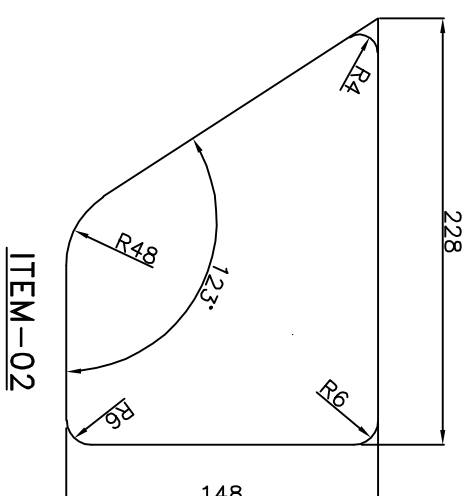
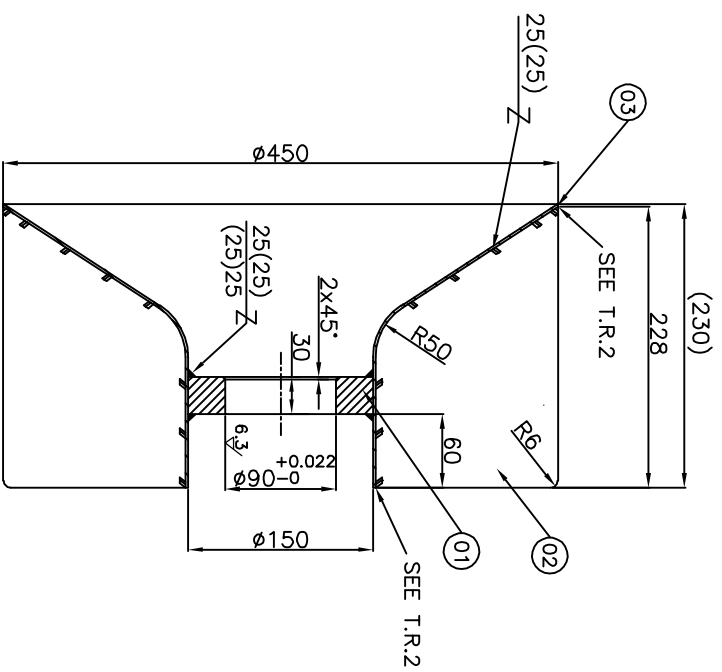
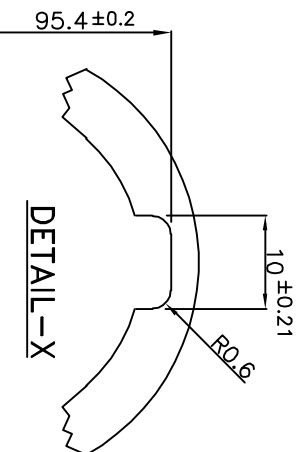
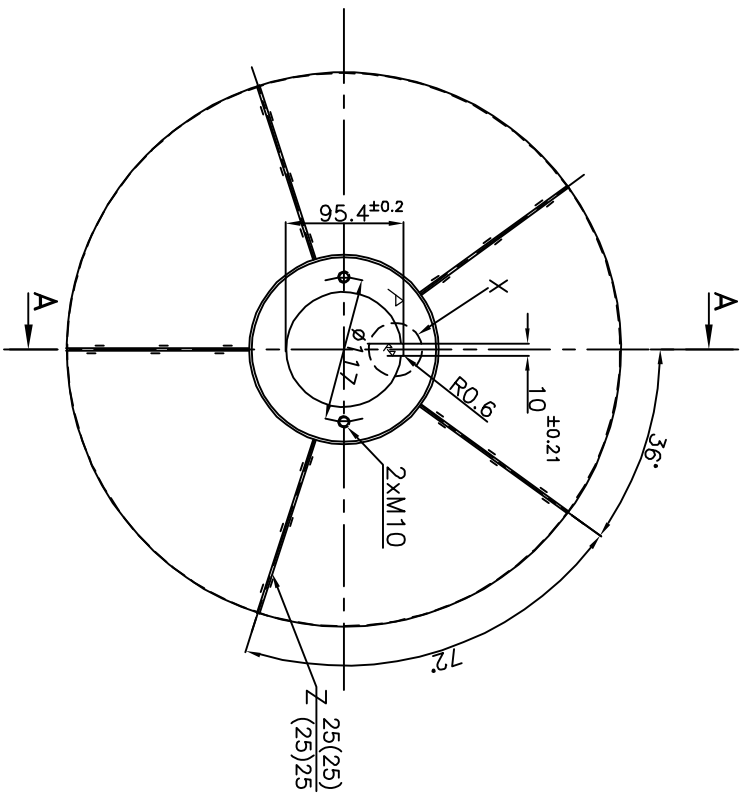


02104232049 . DRG.NO.



TOOL LIST		
ITEM	TOOL	DESCRIPTION
1		KEY SEATING CUTTER
1		DRILL PLATE FOR M10 HOLES
2		PRESSING TOOL

GAUGE LIST					
LIMIT	NOM SIZE	SYM	TOOL NO.	ITEM	TYPE
					SLIP GAUGE
					CALIPER GAUGE

GES NO. 404573435
 STYLE NO. :-BP9084324749

THE INFORMATION ON THIS DOCUMENT IS THE PROPERTY OF BHARAT HEAVY ELECTRICALS LIMITED. IT MUST NOT BE USED DIRECTLY OR INDIRECTLY IN ANY WAY DETRIMENTAL TO THE INTEREST OF THE COMPANY.

REF. DRG. NO. SIGN. & DATE INVENTOYR NO.

- TECHNICAL REQUIREMENTS :-**
- (1) ALL WELDS TO BE 2 UNLESS OTHERWISE STATED WELDS TO BE C.S. AA0622101 TO GR II
 - (2) WELD AT ENDS MUST, NO UNDER CUT/BURNING.
 - (3) SHARP EDGES TO BE ROUNDED OFF.
 - (4) CONCENTRICITY BETWEEN FAN O/D AND M/CD. I/D OF FAN SHOULD BE WITHIN 0.1 mm.
 - (5) FACE SHOULD NOT WOBBL MORE THAN 0.5 mm.

REV.	DATE	ALTERED	CHECKED	APPROVED
02	22.11.18	YM	AKM	AKM

STYLE NO. ADDED.

REV.	DATE	ALTERED	CHECKED	APPROVED	REMARKS	ITEM NO.	DESCRIPTION	DRAWING NO.	MATL. CODE	UNIT WT.
01	64 65					03	BACK PLATE 2TK.X590X590	44023242039		5.5
05						02	BLADE 2TK.X148X228			0.4
01						01	HUB 30TK.X83 I/DX150 O/D			2.9

ADDITIONAL INFORMATION
 WO: - DEVELOPMENT

STATUS OF DRAWING

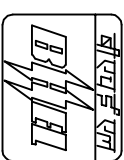
DISTRIBUTION OF PRINTS
 AME - 1
 IMM - 3
 TEX(TOOLING) - 1
 TEX (IMM) - 1
 FBM(1B) - 3

REV.	DATE	ALTERED	CHECKED	APPROVED
01	28.04.08	R.L.S	M.K.M	M.K.M

NOTES 4 & 5 ADDED.

TYPE OF PRODUCT
 OR
 NAME OF CUSTOMER/PROJECT

H-COMPACT



BHARAT HEAVY ELECTRICALS LTD.
 BHOPAL

NAME	SIGN	DATE	NO.OF VAR.
DRN PARVEEN	-sd-	14.03.08	
CKD M.K.M	-sd-	14.03.08	
APPD P.B	-sd-	14.03.08	

DEPT. NAME	UNTOL.DIMS.GR.	SCALE	WEIGHT(K.G.)	REF. TO ASSY. DRG.	ITEM NO.	NO.OF ITEMS
404		NTS	10.5			

EXTERNAL FAN

1LA4 350-4P

DRAWING NO.	SHEET NO.	NO. OF SHEETS	REV.
34023240120	01	01	02