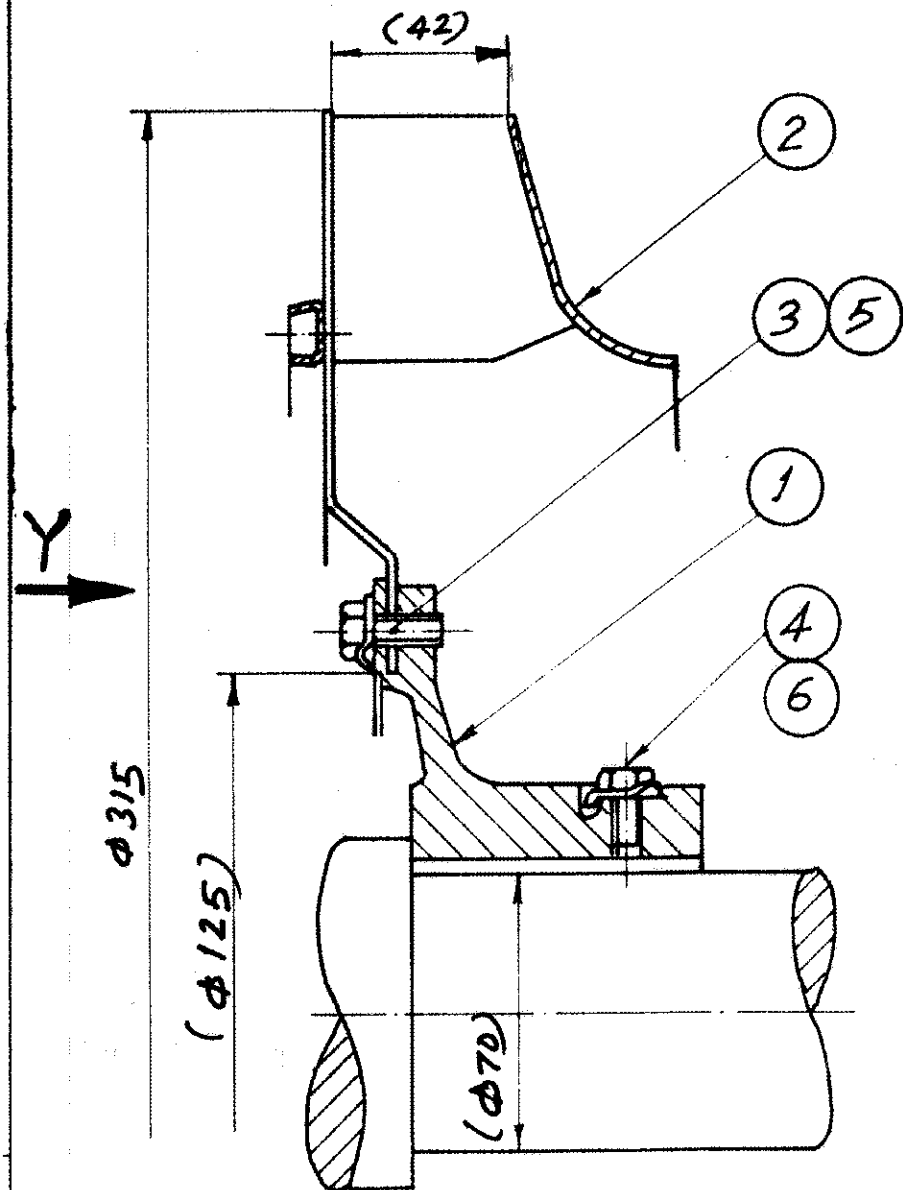


THE INFORMATION ON THIS DOCUMENT IS THE PROPERTY OF BHARAT HEAVY ELECTRICALS LIMITED. IT MUST NOT BE USED DIRECTLY OR INDIRECTLY IN ANY WAY DETRIMENTAL TO THE INTEREST OF THE COMPANY.

DRG NO 34023240052

D.O. NOTE
 $n_b = 5300 \text{ min}^{-1}$
 $J = 0.05 \text{ kgm}^2$

GES 404283423



TECHNICAL REQUIREMENTS :-

1. ITEM 5 TO BE LOCKED AFTER BLOWER IS FIXED ON HUB, WITH ITEM 3.
2. ITEM 6 TO BE LOCKED AFTER BLOWER ASSY. IS MOUNTED ON SHAFT, AND KEY IS LOCKED WITH ITEM 4.
3. DIRECTION OF ROTATION LOOKING IN DIRECTION OF ARROW 'Y' IS CLOCK WISE.

VAR NO	REMARKS	VAR NO	ITEM NO	DESCRIPTION	STD	DRAWING NO	ITEM NO	MATL CODE	UNIT	QTY
01		06	06	LOCK WASHER 8.4/19-ST		AM 54017	02			
06		05	05	LOCK WASHER 10.5		34114162507	01			
01		04	04	SCREW HEX. P MBX 20-8.8		AM 54054	08			
06		03	03	SCREW HEX. M10 X 20 - B.B				AA 7121123215 AA 7121123		
01		02	02	RADIAL BLOWER		24023240023	01	900446068		3.4
01		01	01	BLOWER HUB		24023242016	01	900432084		3.2

K501989

SIGN & DATE

INVENTORY NO

CARD TYPE 3		CARD TYPE 1		CARD TYPE 2	
ADDITIONAL INFORMATION					
STATUS OF DRAWING					
DISTRIBUTION OF PRINTS					
AME	1				
IMM	3				
TCX	1				
REV		DATE	ALTERED		
			CHECKED		
DEPT	GRADE OF UN TOL	SCALE	WEIGHT (Kg)	REF TO ASSY DRG	
AME	DIM C/M/F	N.T.S	6.6		
TITLE			CARD CODE	DRAWING NO.	
BLOWER ASSY. CLOCK WISE				34023240052	
			SHEET NO.	NO. OF SHEETS	
			2	7	

TYPE OF PRODUCT **1LA7500**
 OR
 NAME OF CUSTOMER/PROJECT **315x42/70**

BHARAT HEAVY ELECTRICALS LIMITED
BHOPAL

DRN	NAME	SIGN	DATE	73 74
	J. CG	J. CG	21.2.89	NO OF VAR
CHD				
APPD	PB		27.2.89	

DEPT	GRADE OF UN TOL	SCALE	WEIGHT (Kg)	REF TO ASSY DRG	ITEM NO	NO OF ITEMS
AME	DIM C/M/F	N.T.S	6.6			
TITLE			CARD CODE	DRAWING NO.		
BLOWER ASSY. CLOCK WISE				34023240052		
			SHEET NO.	NO. OF SHEETS		
			2	7		