

FIRST ANGLE PROJECTION

(ALL DIMENSIONS ARE IN mm.)

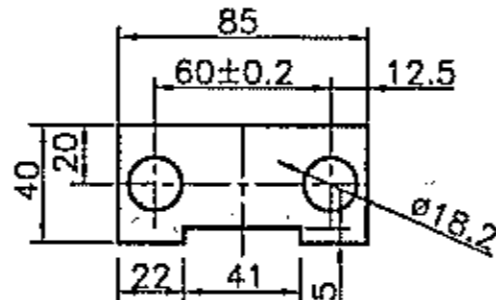
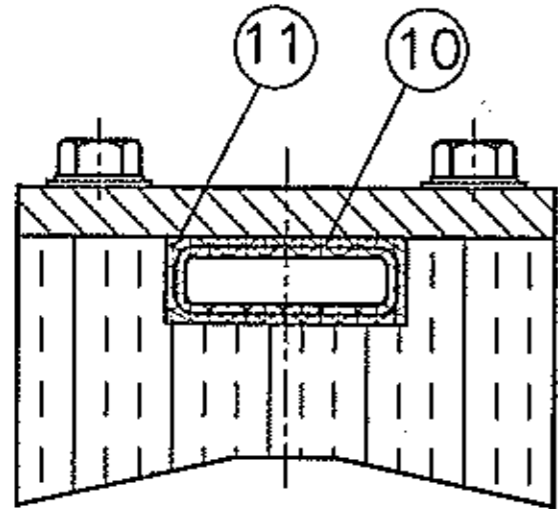
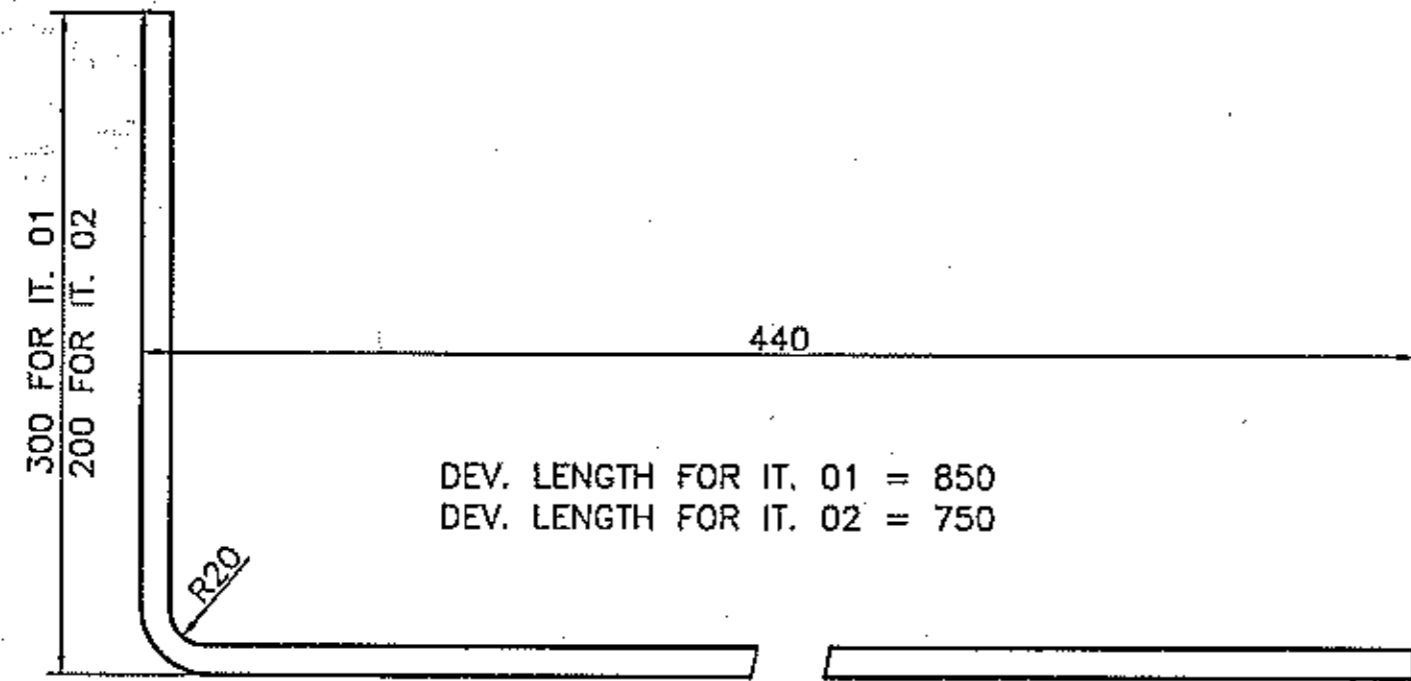
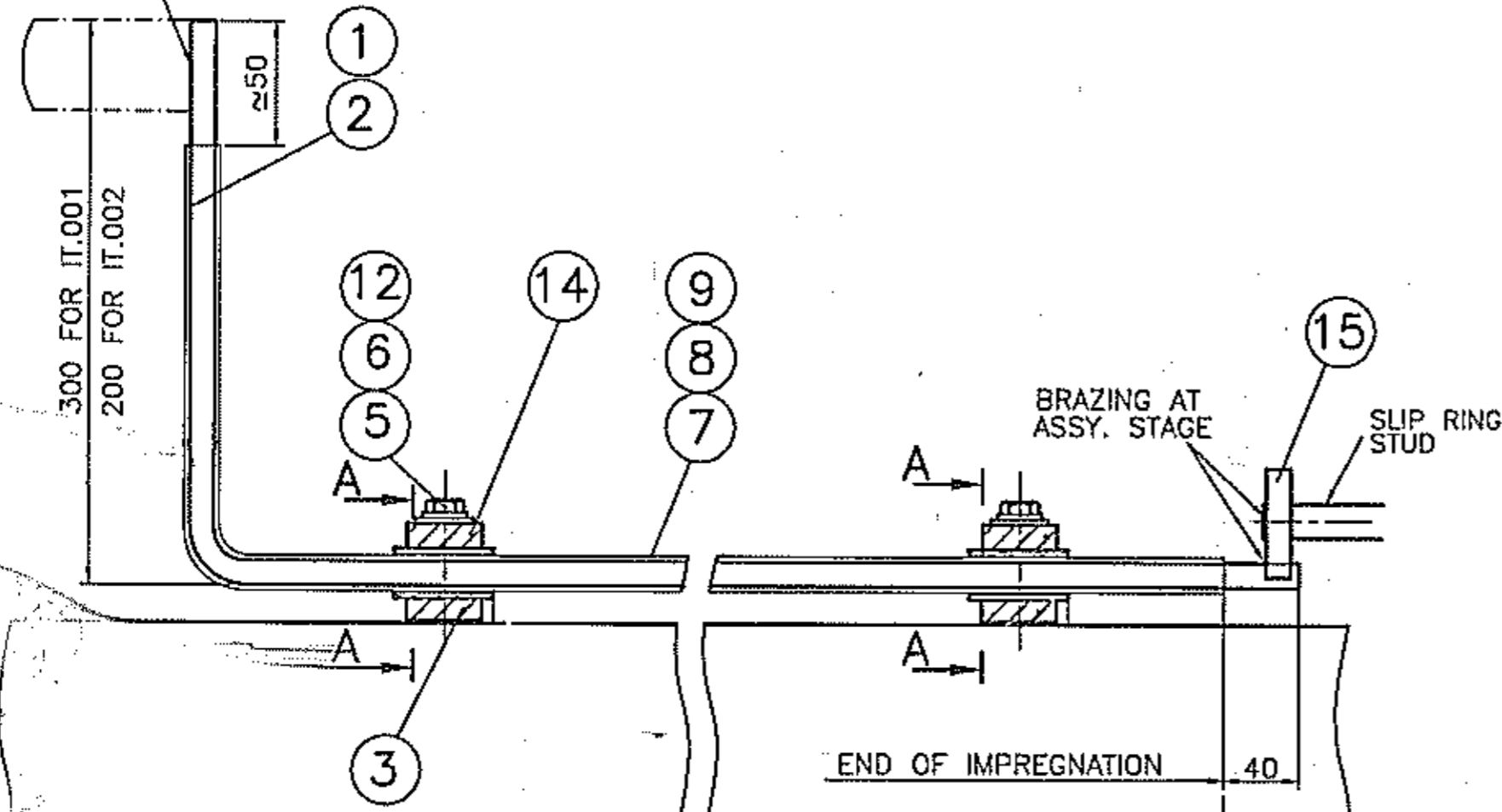
DRG. NO. 24028440065

GES. NO. 404568533 FOR VAR.00

TECH.REQUIREMENT:-

1. FOR BRAZING REF. WI 052-6551 PART 16&39.

BRAZING DURING ROTOR WINDING



ITEM NO.	DESCRIPTION	QTY.	UNIT WT.	MATL. CODE	MATL. SPEC.
03	CONNECTOR FL40X18X85		0.10	BP 12074	
06	PACKING PLATE	44024242035	0.30	01	
		013			
12	WASHER MCD 10.5-ST			AA7161001064	AA7161001
12	ADJUST THICKNESS TO SUIT	011		HM693/IU02009	
12	BOTTOM LINER 3TK.x50x50	010		HM693/IU02009	
AS REQD.		009		L611	
AS REQD.	6 LAYERS 1/2 OVER LAP	008		ROGS275.2	
01	MADE UP IT.8&9	007			
12		006		AA7164002061	AA7164002
12		005		AA7121123304	AA7121123
		004			
06	B.O.	003	0.20		
02		002	2.3	BP12074	
01		001	3.0	BP12074	

INVENTORY NO. 3D4.1389-430016 REF. DRG. NO. 3D4.1389-430016 THE INFORMATION ON THIS DOCUMENT IS THE PROPERTY OF BHARAT HEAVY ELECTRICALS LIMITED IT MUST NOT BE USED DIRECTLY OR INDIRECTLY IN ANY WAY DETRIMENTAL TO THE INTEREST OF THE COMPANY.

ADDITIONAL INFORMATION W.O.46034A422-71/91		TYPE OF PRODUCT OR 1RU1903-6	
STATUS OF DRAWING AME-1 GTG(EM)-1 PLM-3 CIM-4		NAME OF CUSTOMER/PROJECT M/S GRASIM CEMENT	
DISTRIBUTION OF PRINTS AME-1 GTG(EM)-1 PLM-3 CIM-4		BHARAT HEAVY ELECTRICALS LTD. BHOPAL	
REV.	DATE	DEPT. A/E	SCALE
		CODE 404	N.T.S
WEIGHT(Kg.) 20.00		REF. TO ASSY. DRG.	
TITLE SLIP RING LEAD ASSY.		DRAWING NO. 24028440065	
SHEET NO.-01		NO. OF SHEETS -01	