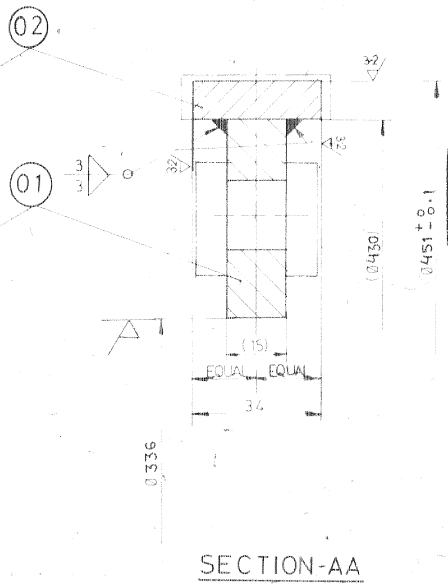
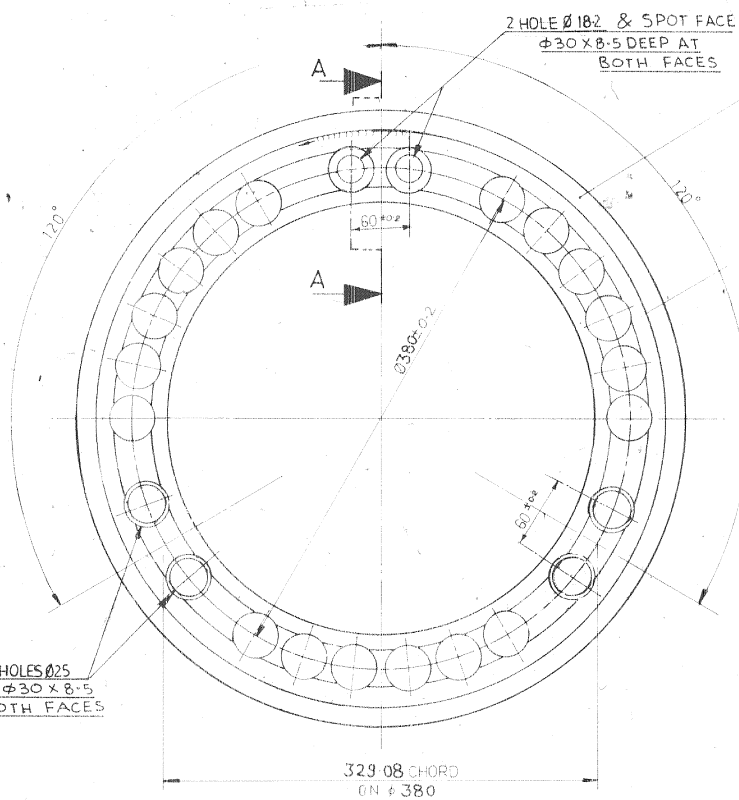


DRG. NO. 24028440049

THE INFORMATION ON THIS DOCUMENT IS THE PROPERTY OF BHARAT HEAVY ELECTRICALS LIMITED. IT MUST NOT BE USED DIRECTLY OR INDIRECTLY IN ANY WAY DETRIMENTAL TO THE INTEREST OF THE COMPANY.



TOOL LIST		
ITEM	TOOL	DESCRIPTION
		DRILL PLATE FOR 6 HOLES AT PCØ380

TECHNICAL REQUIREMENT -

- 1) SLIT 1MM BROAD BLIT 2 THRU TO BE WELDED
- 2) FOR WELDING REF. W.L. 052 6151 PART 22

SECTION-AA

VAR. NO.	REMARKS	VAR. NO.	ITEM NO.	DESCRIPTION	DWG. NO.	MATL. CODE	UNIT WT.
01		02		SLIP RING	34028442028	01	
01		01		SUPPORT RING FOR SLIP RING	2 402 8442006	01	

ADDITIONAL INFORMATION: W.D. S.T.D. STATUS OF DRAWING

TYPE OF PRODUCT: 1 RR190 OR NAME OF CUSTOMER/PROJECT: S.T.D.

DISTRIBUTION OF PRINTS: O.C-1 FBM-4 PLM-4 TCX(PLM)-1

DEPT. CODE: 204 GRADE OF UN. TOU DIM. C/M/F: N.T.S. SCALE: 10.0 WEIGHT: 10.0 REF. TO ASSY. DRG. NO. 24028440049

TITLE: SLIP RING ASSY.

ACC. NO. 3040153 INVENT. NO. 3061089 SIGN & DATE 1985 REF. DRG. NO.

REV. DATE	ALT. CHD.	REV. DATE	ALT. CHD.	REV. DATE	ALT. CHD.	REV. DATE	ALT. CHD.	REV. DATE	ALT. CHD.