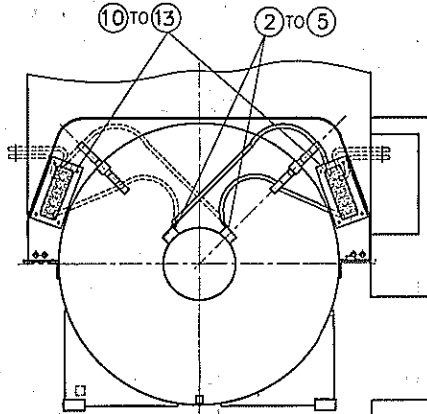
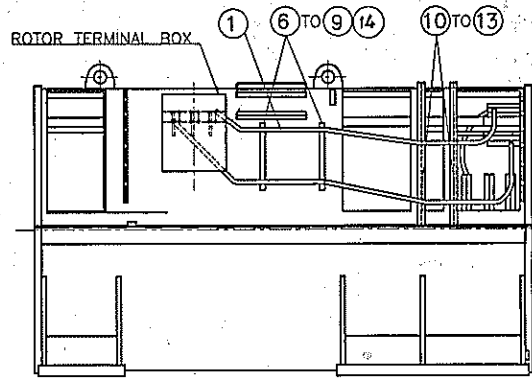


FIRST ANGLE PROJECTION

(ALL DIMENSIONS ARE IN mm.)

DRG. NO. 24024240092



GES.NO.404594461 VAR.00

QTY	ITEM NO.	DESCRIPTION	DRAWING NO.	MATL. CODE	MATL. SPEC.	UNIT WT.	QTY.
20	014	BOLT HEX M10x100		AA711122143			
				AA 711122			
32	013	WASHER MCD.10.5		AA7161001064			
				AA7161001			
16	012	HEX.SCREW M10x20		AA7121123215			
				AA7121123			
24	011	GROMMET	4402246017	01	BP909303		
04	010	CABLE SUPPORT PLT.	24024240091	01			
52	009	WASHER MCD.10:5		AA7161001064			
				AA7161001			
52	008	NUT HEX M10.		AA7151115032			
				AA7151115			
20	007	BOLT M10 x 75		AA711122127			
				AA711122			
52	006	CABLE SUPPORT CLAMP	34024246011	01			
12	005	WASHER SPRING B-10		AA7164002061			
				AA7164002			
12	004	WASHER MCD 10.5		AA7161001064			
				AA7161001			
12	CUT TO SUIT	SCREW HEX. M10x16		AA7121123215			
				AA7121123			
24	002	CABLE LUG	AM54143	07	BP9043031330		
12	001	LEAD(95mm <sup>2</sup> )3.3KV APPROX.4.5M		BP2851369024			
				BP28569			

INVENTORY NO. 3D4.5850-423445  
 SIGN & DATE  
 REF. DRG. NO.  
 THE INFORMATION ON THIS DOCUMENT IS THE PROPERTY OF BHARAT HEAVY ELECTRICALS LIMITED IT MUST NOT BE USED DIRECTLY OR INDIRECTLY IN ANY WAY DETRIMENTAL TO THE INTEREST OF THE COMPANY.

ADDITIONAL INFORMATION W.O.49215A422-11 STATUS OF DRAWING		TYPE OF PRODUCT OR 1RR1806-6JF60-Z NAME OF CUSTOMER/PROJECT M/S ACC WADI	
DISTRIBUTION OF PLANTS AME- 1 TCX(PLM)- 1 PLM- 4		BHARAT HEAVY ELECTRICALS LTD. BHOPAL	
REV. 01 DATE 26/01 ALTERED CHD. APPD.	REV. 01 DATE 26/01 ALTERED CHD. APPD.	DEPT. AME CODE 404	SCALE N.T.S
ITS. 7,8 & 9 SIZE & MATL. CODE CHANGED. IT. 14 ADDED.		TITLE BRUSH GEAR ARRGT.	
ITS. 6 TO 10 QTY. CHANGED. IT. 11 ST. NO. CHANGED. IT. 14 DELETED. IT. 12 CODE NO. CHANGED.		REF. TO ASSY. DRG. DRAWING NO. 24024240092	

PCZ/PKS/WADI/BGSRARRGT.DWG

5/8/2010